

Model 259
2.4mm Connectors



Features

- /// Available in 3, 6, 10, 20 & 30 dB. Other values available upon request.
- /// Precision injection molded connectors.
- /// Designed to meet environmental requirements of MIL-DTL-3933.

Specifications

NOMINAL IMPEDANCE: 50 Ω
FREQUENCY RANGE: dc to 50.0 GHz

MAXIMUM DEVIATION OVER FREQUENCY*:		
Nominal ATTN (dB)	Deviation (dB)	
	dc-26.5 GHz	26.5-50 GHz
3, 6	± 0.50	± 1.10
10, 20, 30	± 0.80	± 1.50

* Includes frequency sensitivity.

MAXIMUM SWR:	
Frequency (GHz)	SWR
dc - 26.5	1.25
26.5 - 50	1.45

POWER RATING: 2 watts **average** to 25 °C ambient temperature, derated linearly to 0.1 watt at 85 °C. 200 watts **peak** (5 μsec pulse width; 0.05 % duty cycle).

POWER COEFFICIENT: < 0.004 dB/dB/watts

TEMPERATURE COEFFICIENT: < 0.0004 dB/dB/°C

TEMPERATURE RANGE: -55 °C to +100 °C

Fixed Coaxial Attenuators

dc to 50.0 GHz
2 Watts



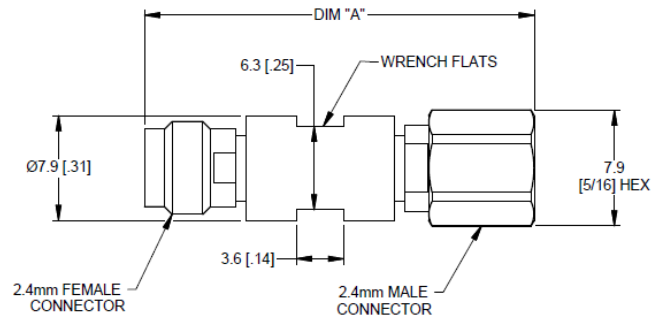
TEST DATA: Swept data plots of attenuation and SWR from 50 MHz to 50 GHz is available at additional cost.

CONNECTORS: 2.4mm connectors mate nondestructively with other 2.4mm connectors. Contact Pin Recession (0 to 0.003 inch).

CONSTRUCTION: Passivated stainless steel body and connectors; gold plated beryllium copper contacts.

WEIGHT: 7 g (0.25 oz.) maximum

PHYSICAL DIMENSIONS:

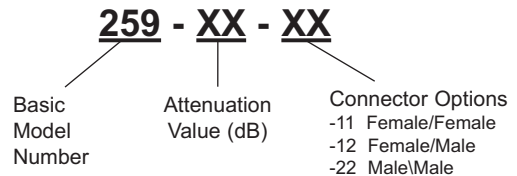


Model	DIM A
259-XX-12	29.50 (1.16)
259-XX-11	26.60 (1.05)
259-XX-22	32.30 (1.27)

NOTE: All dimensions are given in mm (inches) and are maximum, unless otherwise specified.

MODEL NUMBER DESCRIPTION:

Example:



Note: Specifications subject to change without notice.