

Fixed Coaxial Attenuators

api 
 technologies corp.
 > WEINSCHEL
 dc to 6.0 GHz
 200 Watts

Model 251
High Power, N Connectors
Convection Cooled, Bi-directional

 **RoHS**



Features

- /// Quality connectors with special high temperature support beads.
- /// Designed to meet environmental requirements of MIL-DTL-3933.

Specifications

NOMINAL IMPEDANCE: 50 Ω
FREQUENCY RANGE: dc to 6.0 GHz

MAXIMUM DEVIATION OVER FREQUENCY:

Nominal ATTN (dB)	Deviation (dB)
10, 20, 30, 40	± 2.00

MAXIMUM SWR:

Frequency (GHz)	SWR
dc - 2	1.10
2 - 6	1.20

POWER RATING: 200 watts **average (Bi-directional)** to 25°C ambient temperature, derated linearly to 20 watts @ 125°C ambient. 10 kilowatt **peak** (5 μsec pulse width; 1% duty cycle).

POWER COEFFICIENT: <0.0001 dB/dB/watt

TEMPERATURE COEFFICIENT: <0.0004 dB/dB/°C

TEMPERATURE RANGE: -55°C to 125°C

TEST DATA: Swept data plots of attenuation and SWR from 50 MHz to 6 GHz.

CONNECTORS: Type N connectors per MIL-STD-348 interface dimensions - mate nondestructively with MIL-C-39012 connectors.

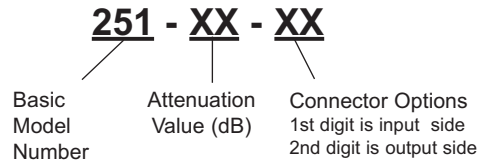
Connector Options	Type/Description
3	Type N, Female
4	Type N, Male

CONSTRUCTION: Black Finned Aluminum alloy body, stainless steel connectors; gold plated beryllium copper contacts.

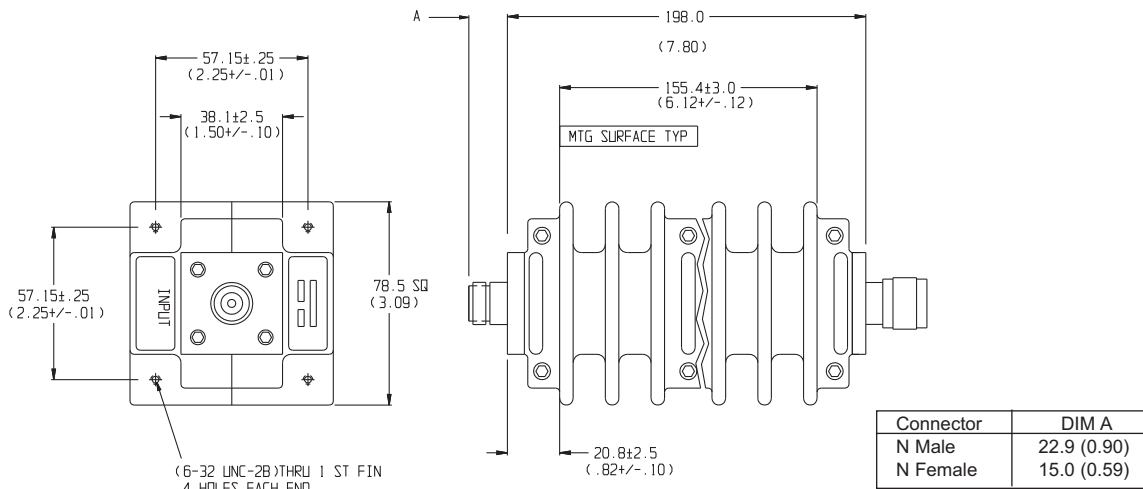
WEIGHT: 1,530 g (3 lbs, 6 oz) maximum

MODEL NUMBER DESCRIPTION:

Example:



PHYSICAL DIMENSIONS:



NOTE: All dimensions are given in mm (inches) and are maximum, unless otherwise specified.