

ATTENUATORS SMA / TYPE N

DC - 18 GHz BETWEEN SERIES



MODELS: 2028, 2029, 2030 & 2031

SPECIFICATIONS:

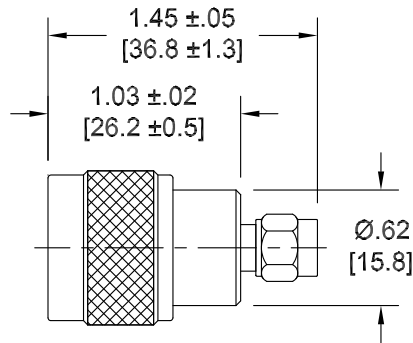
Electrical:

Frequency Range _____ DC - 18 GHz
 Standard dB Values* _____ 0, 10, 12, 15 & 20 dB
 Atten. Accuracy _____ 1 dB Increments
 0 - 6 dB _____ ±0.3 dB
 7 - 20 dB _____ ±0.5 dB
 VSWR
 DC - 4 GHz _____ 1.10:1 Max
 4 - 10 GHz _____ 1.20:1 Max
 10 - 18 GHz _____ 1.30:1 Max
 Input Power _____ 2 Watts Avg. @ 25°C
 _____ DERATED LINEARLY TO 0.5 WATTS @ +125°C
 Peak Power _____ 250 Watts Max.
 _____ (5uSec Pulse, .05% Duty Cycle)
 Impedance _____ 50 Ohms
 Operating Temp Range _____ -65°C to +125°C

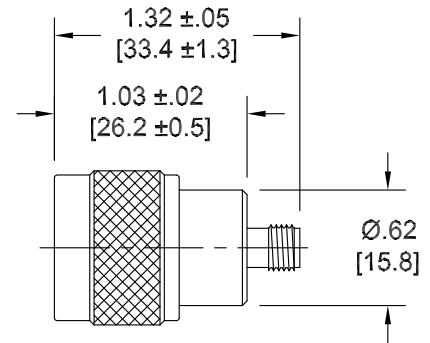
Mechanical:

Connectors _____ Passivated Stainless Steel
 _____ Mates with MIL-STD-348
 Conductors _____ Gold Plated Beryllium Copper

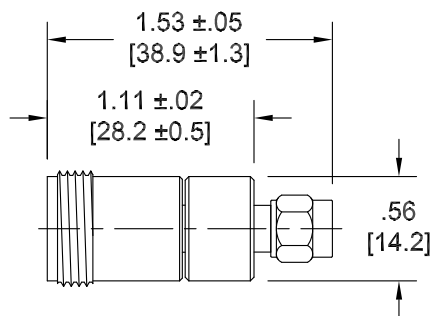
Model Number: **2028-XX**
 Type N Male / SMA Male



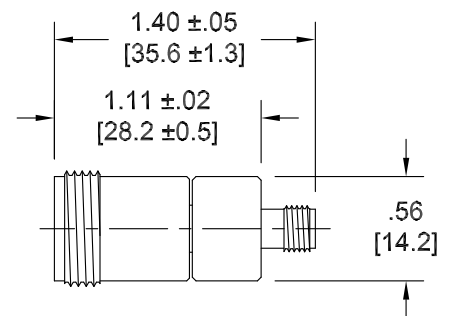
Model Number: **2029-XX**
 Type N Male / SMA Female



Model Number: **2030-XX**
 Type N Female / SMA Male



Model Number: **2031-XX**
 Type N Female / SMA Female



HOW TO ORDER:

Model Number: **20XX-YY**
 Base Number | dB Value

Ordering Example:

Model Number: **2029-20**
 20 dB; Type N Male / SMA Female

Note: Dimensions in Brackets are Expressed in Millimeters and are for Reference Only.
 Design specifications are subject to change without notice.
 Contact factory for technical specifications before purchasing or use.