

# ATTENUATORS

## 2.4mm

UP TO **50 GHz**  
**0.5 WATTS**



MODELS: 40EH-XX & 50EH-XX

### SPECIFICATIONS:

#### Electrical:

Frequency Range \_\_\_\_\_ DC – 50 GHz  
 Standard Freq. Values \_\_\_\_\_ 40 & 50 GHz  
 Standard dB Values \_\_\_\_\_ 0, 3, 6, 10, 20 & 30 dB  
 Attenuation Accuracy: DC – 26.5 GHz 26.5 – 40 GHz 40 – 50 GHz  
 0, 3, 6 & 10 dB \_\_\_\_\_ ±0.5 dB \_\_\_\_\_ ±1.0 dB \_\_\_\_\_ ±1.5 dB  
 20 & 30 dB \_\_\_\_\_ ±0.75 dB \_\_\_\_\_ ±1.25 dB \_\_\_\_\_ ±2.0 dB  
 VSWR:  
 DC – 26.5 GHz \_\_\_\_\_ 1.35:1 Max.  
 26.5 – 40 GHz \_\_\_\_\_ 1.60:1 Max.  
 40 – 50 GHz \_\_\_\_\_ 1.75:1 Max.  
 Input Power \_\_\_\_\_ 0.5 Watts Avg. @ +25°C  
 Derated Linearly to 0.1 Watts @ +85°C  
 Impedance \_\_\_\_\_ 50 Ohms  
 Operating Temp. Range \_\_\_\_\_ -45°C to +85°C

#### Mechanical:

2.4mm Connectors \_\_\_\_\_ Gold Plated Beryllium Copper  
 (Mates with 1.85mm & V\* Connectors)  
 Conductors \_\_\_\_\_ Gold Plated Beryllium Copper  
 Barrel & Coupling Nut\*\* \_\_\_\_\_ Passivated Stainless Steel

\*\* For a Gold Plated Barrel & Coupling Nut add /AU to the Model Number

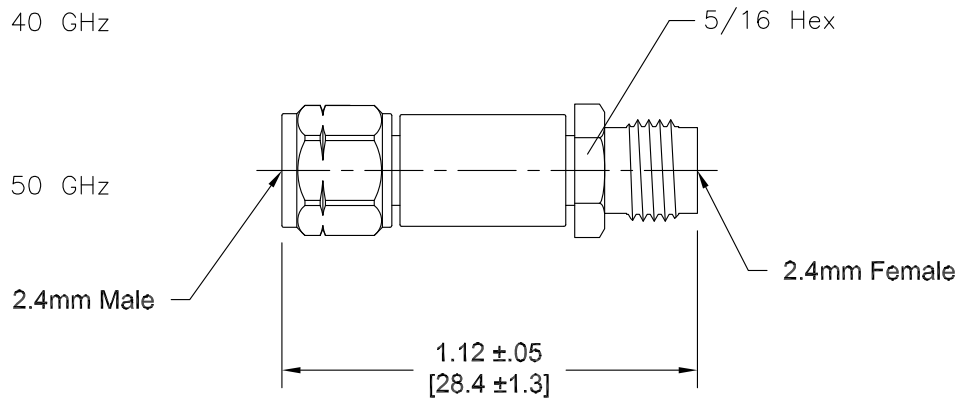
\*V is a trademark of Anritsu Corp.

Model Number: **40EH-XX**

Frequency Range: DC – 40 GHz

Model Number: **50EH-XX**

Frequency Range: DC – 50 GHz



Overall lengths are with coupling nut biased fully forward (installed length).

### HOW TO ORDER:

Model Number: **XXEH-XX/FF**

dB Value \_\_\_\_\_  
 Freq. Range \_\_\_\_\_  
 40 = DC – 40 GHz  
 50 = DC – 50 GHz

Finish \_\_\_\_\_  
 = Passivated Barrel  
 Coupling Nut  
 /AU = Gold Plated Barrel  
 Coupling Nut

### Ordering Examples:

Model Number: **50EH-10**  
 DC – 50 GHz, 10dB

Model Number: **40EH-6**  
 DC – 40 GHz, 6dB

Note: Dimensions in Brackets are Expressed in Millimeters and are for Reference Only.  
 Design specifications are subject to change without notice.  
 Contact factory for technical specifications before purchasing or use.