

# A/AH ATTENUATORS

## 2.9mm

UP TO 40 GHz  
UP TO 2 WATTS



MODELS: A, AH

### SPECIFICATIONS:

#### Electrical:

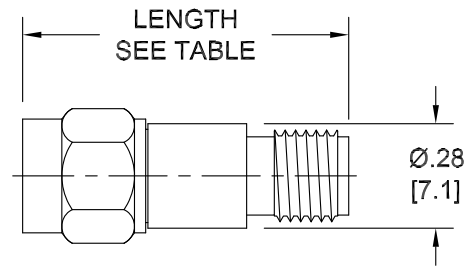
Frequency Range \_\_\_\_\_ DC - 40 GHz  
 Standard Freq. Values \_\_\_\_\_ 26.5 & 40 GHz  
 \*Standard dB Values \_\_\_\_\_ 0, 3, 6, 10, 20 & 30 dB  
 Attenuation Accuracy: DC - 26.5 GHz    26.5 - 40 GHz  
 0, 3 & 6 dB \_\_\_\_\_ ±0.5 dB \_\_\_\_\_ ±0.8 dB  
 10 & 20 dB \_\_\_\_\_ ±0.6 dB \_\_\_\_\_ ±1.0 dB  
 30 dB \_\_\_\_\_ ±0.8 dB \_\_\_\_\_ ±1.0 dB

#### VSWR:

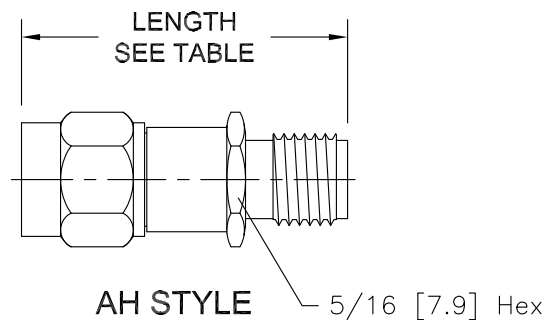
DC - 18 GHz \_\_\_\_\_ 1.30:1 Max.  
 18 - 40 GHz \_\_\_\_\_ 1.40:1 Max.  
 Input Power \_\_\_\_\_ See Below  
 Impedance \_\_\_\_\_ 50 Ohms  
 Operating Temp Range \_\_\_\_\_ -65°C to +125°C  
 RF Leakage \_\_\_\_\_ 90 dB Min

#### Mechanical:

2.9mm Connectors \_\_\_\_\_ Passivated Stainless Steel  
 (Mate both Mechanically & Electrically with  
 all SMA, K\* & 3.5mm Series Connectors.)  
 Conductors \_\_\_\_\_ Gold Plated Beryllium Copper



A STYLE



AH STYLE

\* K is a trademark of Anritsu/Wiltron Corp.

### 26.5 GHz Attenuators

dB Value	LENGTH	
	Inches	Millimeters
0 - 12 dB	.88 ±.05	[22.4 ±1.3]
13 - 30 dB	1.01 ±.05	[25.7 ±1.3]

### 40 GHz Attenuators

dB Value	LENGTH	
	Inches	Millimeters
0 - 30 dB	.88 ±.05	[22.4 ±1.3]

Input Power \_\_\_\_\_ 2 Watt Avg. @ 25°C  
 DERATED LINEARLY TO 0.5 WATTS @ +125°C

Input Power \_\_\_\_\_ 0.5 Watts Avg. @ 25°C  
 DERATED LINEARLY TO 0.1 WATTS @ +125°C

### HOW TO ORDER:

Model Number: **XXAY-XX**

Style  
 A = A Style (No Hex)  
 AH = AH Style (Hex)

Freq. Range    dB Value

26 = DC - 26.5 GHz  
 40 = DC - 40 GHz

### Ordering Examples:

Model Number: **40A-20**  
 DC - 40 GHz; 20 dB; Style A

Model Number: **26AH-6**  
 DC - 26.5 GHz; 6 dB; Style AH

Note: Dimensions in Brackets are Expressed in Millimeters and are for Reference Only.  
 Design specifications are subject to change without notice.  
 Contact factory for technical specifications before purchasing or use.