

A/AH ATTENUATORS SMA

**23 GHz
2 WATTS**



MODELS: A, AH

SPECIFICATIONS:

Electrical:

Frequency Range _____ DC – 23.0 GHz
Standard dB Values _____ 0–10, 12, 15, 20 & 30 dB
In 1 dB Increments

Attenuation Accuracy _____ DC–18 GHz _____ 18–23 GHz
0 – 6 dB _____ ±0.3 dB _____ ±0.4 dB
7 – 20 dB _____ ±0.5 dB _____ ±0.6 dB
21 – 30 dB _____ ±0.75 dB _____ ±0.8 dB

VSWR

© 30 MHz _____ 1.05:1 Max.
DC – 4 GHz _____ 1.15:1 Max.
4 – 8 GHz _____ 1.20:1 Max.
8 – 12.4 GHz _____ 1.25:1 Max.
12.4 – 18 GHz _____ 1.35:1 Max.
18 – 23 GHz _____ 1.40:1 Max.

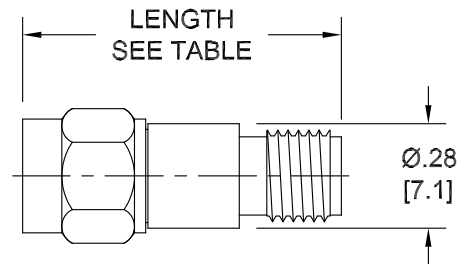
Input Power _____ 2 Watts Avg. @ 25°C
DERATED LINEARLY TO 0.5 WATTS @ +125°C

Peak Power _____ 250 Watts Max.
(5µSec Pulse, .05% Duty Cycle)

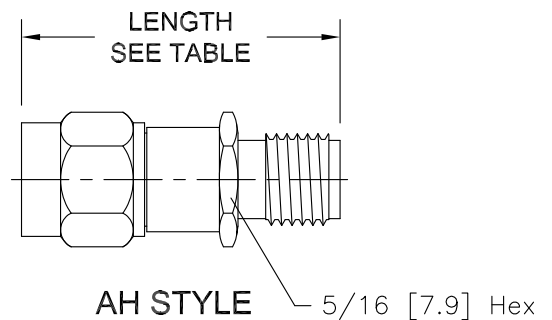
Impedance _____ 50 Ohms
Operating Temp Range _____ -65°C to +125°C

Mechanical:

SMA Connectors _____ Passivated Stainless Steel
Mates with MIL-STD-348
Conductors _____ Gold Plated Beryllium Copper



A STYLE



AH STYLE



Connector Configuration	LENGTH			
	0 – 12 dB		13 – 30 dB	
	Inches	Millimeters	Inches	Millimeters
Male/Female	.86 ±.03	[21.8 ±0.8]	.99 ±.03	[25.1 ±0.8]
Male/Male	.98 ±.03	[24.9 ±0.8]	1.11 ±.03	[28.2 ±0.8]
Female/Female	.87 ±.03	[22.1 ±0.8]	1.00 ±.03	[25.4 ±0.8]

HOW TO ORDER:

Model Number: **23AY-XXY**

Style
A = A Style (No Hex)
AH = AH Style (Hex)

Connector Config.
F = Fem/Fem
M = Male/Male

dB Value

Ordering Examples:

Model Number: **23A-20**
20 dB; SMA – Male/Fem; Style A

Model Number: **23AH-6F**
6 dB; SMA – Fem/Fem; Style AH

Note: Dimensions in Brackets are Expressed in Millimeters and are for Reference Only.
Design specifications are subject to change without notice.
Contact factory for technical specifications before purchasing or use.