

DH ATTENUATORS SMA

UP TO 18 GHz
2 WATTS



MODELS: DH

SPECIFICATIONS:

Electrical:

Frequency Range _____ DC - 18 GHz
 Standard Freq. Values _____ 2.5, 6 & 18 GHz
 Standard dB Values _____ 0 - 10, 12, 15, 20, 30 & 40 dB
In 1 dB Increments

Attenuation Accuracy:

0 - 6 dB _____ ±0.3 dB
 7 - 19 dB _____ ±0.5 dB
 20 - 30 dB _____ ±0.75 dB
 31 - 35 dB _____ ±1.0 dB
 36 - 40 dB _____ ±1.5 dB

VSWR:

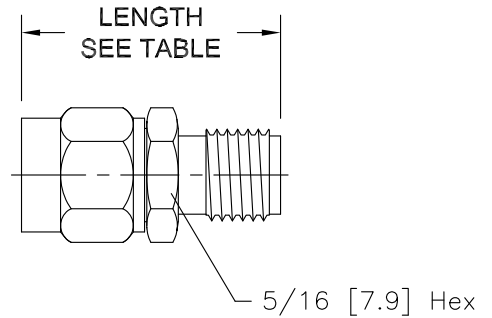
DC - 4 GHz _____ 1.15:1 Max.
 4 - 8 GHz _____ 1.20:1 Max.
 8 - 12.4 GHz _____ 1.25:1 Max.
 12.4 - 18 GHz _____ 1.35:1 Max.

Input Power _____ 2 Watts Avg. @ 25°C
DERATED LINEARLY TO 0.5 WATTS @ +125°C

Peak Power _____ 250 Watts Max.
(5uSec Pulse, .05% Duty Cycle)

Impedance _____ 50 Ohms

Operating Temp. Range _____ -65°C to +125°C



Mechanical:

SMA Connectors _____ Passivated Stainless Steel
Mates with MIL-STD-348
 Conductors _____ Gold Plated Beryllium Copper

Note: Connectors are Epoxy Sealed

Connector Configuration	LENGTH			
	0 - 20 dB		21 - 40 dB	
	Inches	Millimeters	Inches	Millimeters
Male/Female	.70 ±.03	[17.8 ±0.8]	.83 ±.03	[21.1 ±0.8]
Male/Male	.76 ±.03	[19.3 ±0.8]	.89 ±.03	[22.6 ±0.8]
Female/Female	.64 ±.03	[16.3 ±0.8]	.77 ±.03	[19.6 ±0.8]

HOW TO ORDER:

Model Number: **XXDH-XXY**

Freq. Range _____
 2 = DC - 2.5 GHz
 6 = DC - 6 GHz
 18 = DC - 18 GHz

Connector Configuration
 = Male/Female
 F = Fem/Fem
 M = Male/Male

dB Value

Ordering Examples:

Model Number: **18DH-30**
 DC - 18 GHz; 30 dB; SMA - Male/Fem

Model Number: **2DH-6F**
 DC - 2.5 GHz; 6 dB; SMA - Fem/Fem

Model Number: **6DH-3M**
 DC - 6 GHz; 3 dB; SMA - Male/Male

Note: Dimensions in Brackets are Expressed in Millimeters and are for Reference Only.

Design specifications are subject to change without notice.

Contact factory for technical specifications before purchasing or use.

18DH-ATT; REV B