

## Emission Security Power EMI Filter

*Economical EMSEC rack filter maximizes performance in limited space.*

### Features

- Provides the benefit of “brute force” filtering, expanded to commercial market systems
- Small and light, fits in standard 1U spacing in a data/comm rack with unique space-saving design and hardware
- Configurable performance and package give the customer the ability to maximize performance for the space available
- IEC connector input
- Hybrid common mode/differential mode coil design



### Applications

- Internet of Things (IoT) solutions
- Industrial automation
- Commercial secure communications
- Anywhere emissions security is a priority

### Box Sizes

- Small size: 3”L x 1.6”H
- Large size – 4.6”L x 1.6” H
- See full Mechanical Specifications on page 3

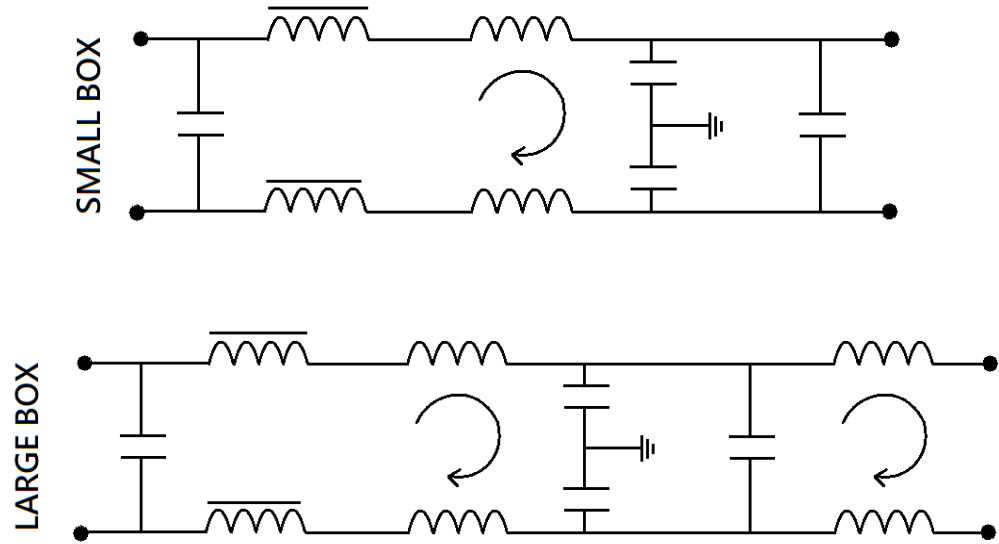
### Electrical Specifications

Part number	IL Performance	Current (Amps)	Voltage	Frequency	Leakage Current
52-1830-004	Standard	10	115-250 VAC	50-60 Hz	3.5mA
52-1830-008	Standard	15	115-250 VAC	50-60 Hz	3.5mA
52-1833-004	Elite	10	115-250 VAC	50-60 Hz	3.5mA
52-1833-009	Elite	15	115-250 VAC	50-60 Hz	3.5mA

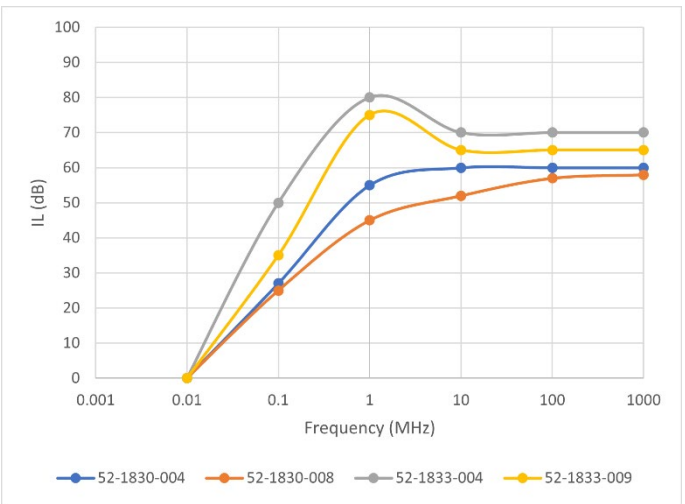
# Emission Security Power EMI Filter

Economical EMSEC rack filter maximizes performance in limited space.

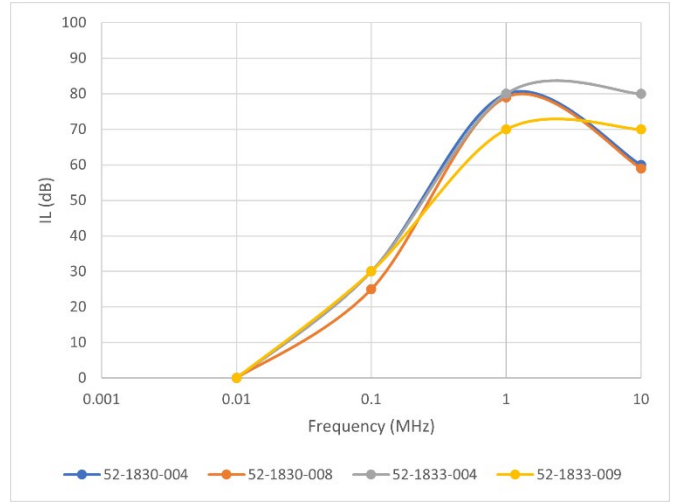
## Electrical Performance



### Common Mode IL



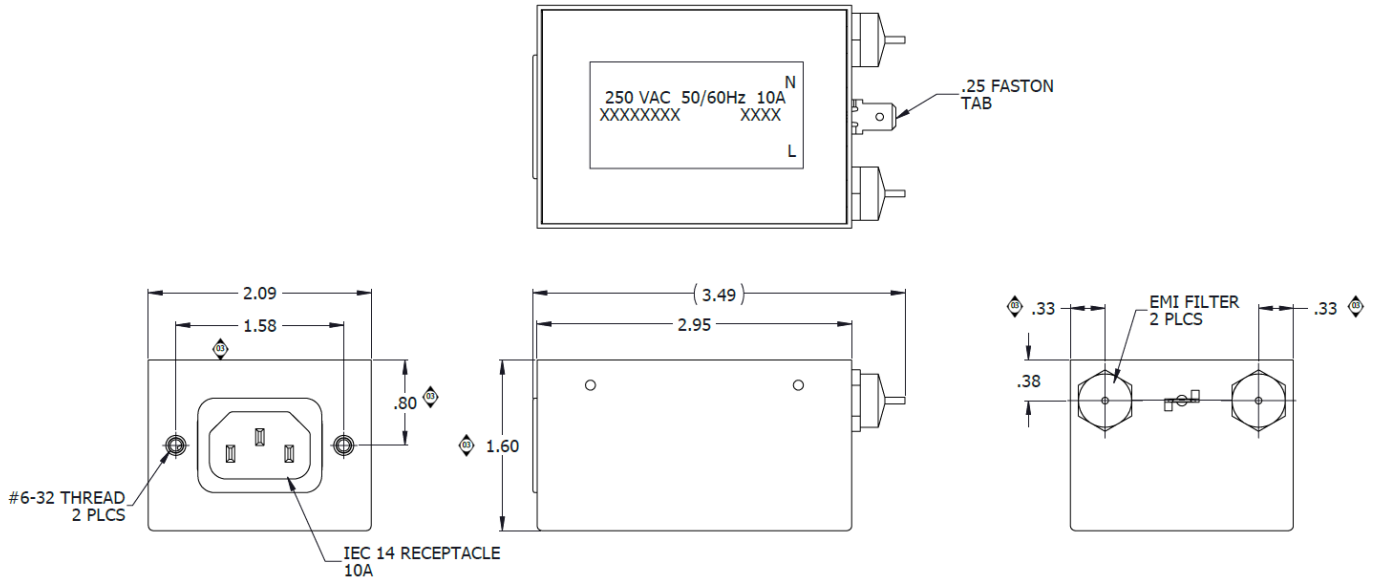
### Differential Mode IL



# Emission Security Power EMI Filter

*Economical EMSEC rack filter maximizes performance in limited space.*

## Mechanical Specifications – Small Box



## Mechanical Specifications – Large Box

