

# Waved Metal Gaskets

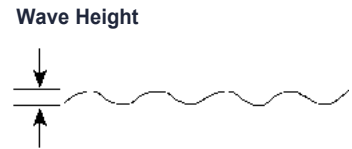
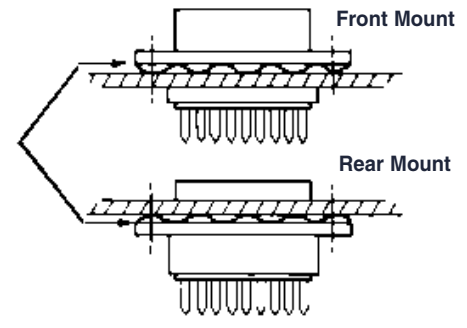
Proper mounting of an EMI filter is critical to achieving optimum filtering performance. For applications requiring very high attenuation, it is necessary to fill the gaps at the mounting surface-to-connector interface. The length of any gap must be short, relative to the wavelength of the signal to be attenuated. Spectrum Control supplies a line of "waved" gaskets. This design ensures the maximum "gap length" will not exceed the wave pitch, .200" (5.08mm), even on the surfaces with poor flatness. This ensures maximum filter performance to 1 GHz and beyond.



**Waved Metal**  
Grounding/Shielding Gasket (shown in free state)

## Specifications

- Material* . . . . . Beryllium Copper, CA 172  
(per QQ-C-533)
- Finish* . . . . . STD: Electro tin plate, 100 micro  
inches (per MIL-T-10727)
- Material Thickness* . . . . . .005" (.13mm) compressed
- Wave Height* . . . . . .030" +.020/- .015  
(.76+.51/- .38mm)
- Length increase when flattened* . . . . . 0.008" (.20mm) per inch



## Waved Metal Gaskets (Select part number by filling in "xxx": 572019-00xxx-70)

| Mounting: Front mounted pin or socket connector, rear mounted pin connector. |                      |                      |                      |                      |                      |                      |                      |       |
|--|----------------------|----------------------|----------------------|----------------------|----------------------|----------------------|----------------------|-------|
| Shell Size   | A<br>±.020<br>(0.51) | B<br>±.020<br>(0.51) | C<br>±.020<br>(0.51) | D<br>±.020<br>(0.51) | E<br>±.005<br>(0.13) | "xxx"                |                      |       |
| 9  | 1.213<br>(30.81)     | .984<br>(24.99)      | .777<br>(19.74)      | .600<br>(15.24)      | .440<br>(11.18)      | 100                  |                      |       |
| 15   | 1.541<br>(39.14)     | 1.312<br>(33.32)     | 1.105<br>(28.07)     | .600<br>(15.24)      | .440<br>(11.18)      | 101                  |                      |       |
| 25   | 2.088<br>(53.04)     | 1.852<br>(47.04)     | 1.645<br>(41.78)     | .600<br>(15.24)      | .440<br>(11.18)      | 102                  |                      |       |
| 37   | 2.729<br>(69.32)     | 2.500<br>(63.50)     | 2.293<br>(58.24)     | .600<br>(15.24)      | .440<br>(11.18)      | 103                  |                      |       |
| 50   | 2.635<br>(66.93)     | 2.406<br>(61.11)     | 2.190<br>(55.63)     | .710<br>(18.03)      | .550<br>(13.97)      | 104                  |                      |       |
| Mounting: Rear mounted socket connectors only.                               |                      |                      |                      |                      |                      |                      |                      |       |
| Shell Size   | A<br>±.020<br>(0.51) | B<br>±.020<br>(0.51) | C<br>±.020<br>(0.51) | D<br>±.020<br>(0.51) | E<br>±.005<br>(0.13) | F<br>±.005<br>(0.13) | G<br>±.020<br>(0.51) | "xxx" |
| 9  | 1.213<br>(30.81)     | .984<br>(24.99)      | .450<br>(11.43)      | .660<br>(16.76)      | .324<br>(8.23)       | .360<br>(9.14)       | .600<br>(15.24)      | 105   |
| 15   | 1.541<br>(39.14)     | 1.312<br>(33.32)     | .670<br>(17.02)      | .988<br>(25.10)      | .324<br>(8.23)       | .360<br>(9.14)       | .600<br>(15.24)      | 106   |
| 25   | 2.088<br>(53.04)     | 1.852<br>(47.04)     | 1.110<br>(28.19)     | 1.528<br>(38.81)     | .324<br>(8.23)       | .360<br>(9.14)       | .600<br>(15.24)      | 107   |
| 37   | 2.729<br>(69.32)     | 2.500<br>(63.50)     | 1.550<br>(39.37)     | 2.176<br>(55.27)     | .324<br>(8.23)       | .360<br>(9.14)       | .600<br>(15.24)      | 108   |
| 50   | 2.635<br>(66.93)     | 2.406<br>(61.11)     | 1.550<br>(39.37)     | 2.082<br>(52.88)     | .436<br>(11.07)      | .470<br>(11.94)      | .710<br>(18.03)      | 109   |

