

Attenuator, Type N

Model XN150W

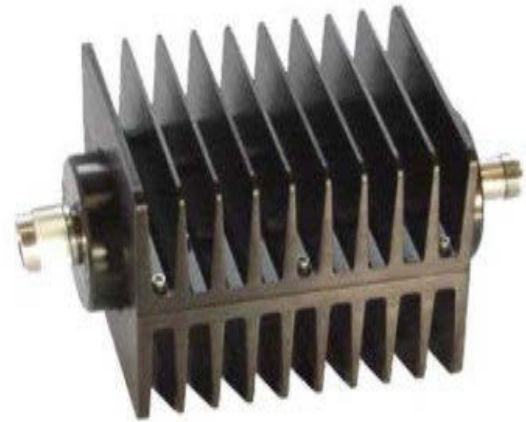
Frequency Range: DC to 4.0 GHz
Power: 150 Watts

Features

- Compact physical design
- Ruggedized construction
- Unidirectional
- Optimized for test applications

Technical Specifications

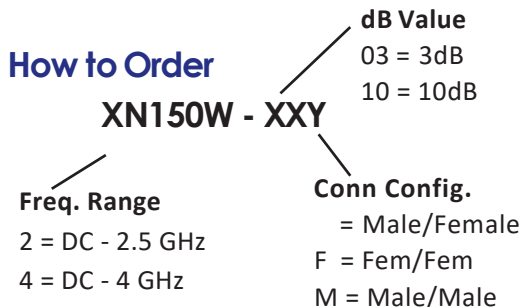
Parameter		Value	
Frequency Range		DC to 4 GHz	
Standard Freq. Values		2.5 & 4 GHz	
Standard dB Values		3, 6, 10, 20 & 30dB	
Attenuation Accuracy (dB)			
dB Value	DC-1.5 GHz	1.5-2.5 GHz	2.5-4 GHz
3 & 6	±0.5dB	±1.0dB	±1.5dB
10 & 20	±0.5dB	±0.75dB	±1.0dB
30	±0.75dB	±1.0dB	±1.5dB
VSWR (Max)	1.15:1	1.25:1	1.35:1
Input Power	150 Watts Avg. @+25°C <i>Derated Linearly to 30 Watts @ +125°C</i>		
Peak Power	2 kW Max. <i>(5µSec Pulse, .05% Duty Cycle)</i>		
Impedance	50 Ohms		
Operating Temp. Range	-54°C to +125°C		



Mechanical

Feature	Material
Type N Connectors <i>Mates with MIL-STD-348</i>	Passivated Stainless Steel
Conductors	Gold Plated Beryllium Copper
Housing	Anodized Aluminum

Units must be mounted in such a way as to allow for free air flow around fins as to assure performance.



Order Examples

Model Number: 4N150W-10

DC-4 GHz, 10dB, Type N Male/Fem

Model Number: 2N150W-03F

DC-2.5 GHz, 3dB, Type N Fem/Fem

Design Specifications are subject change without notice.

REV A

Attenuator, Type N

Model XN150W

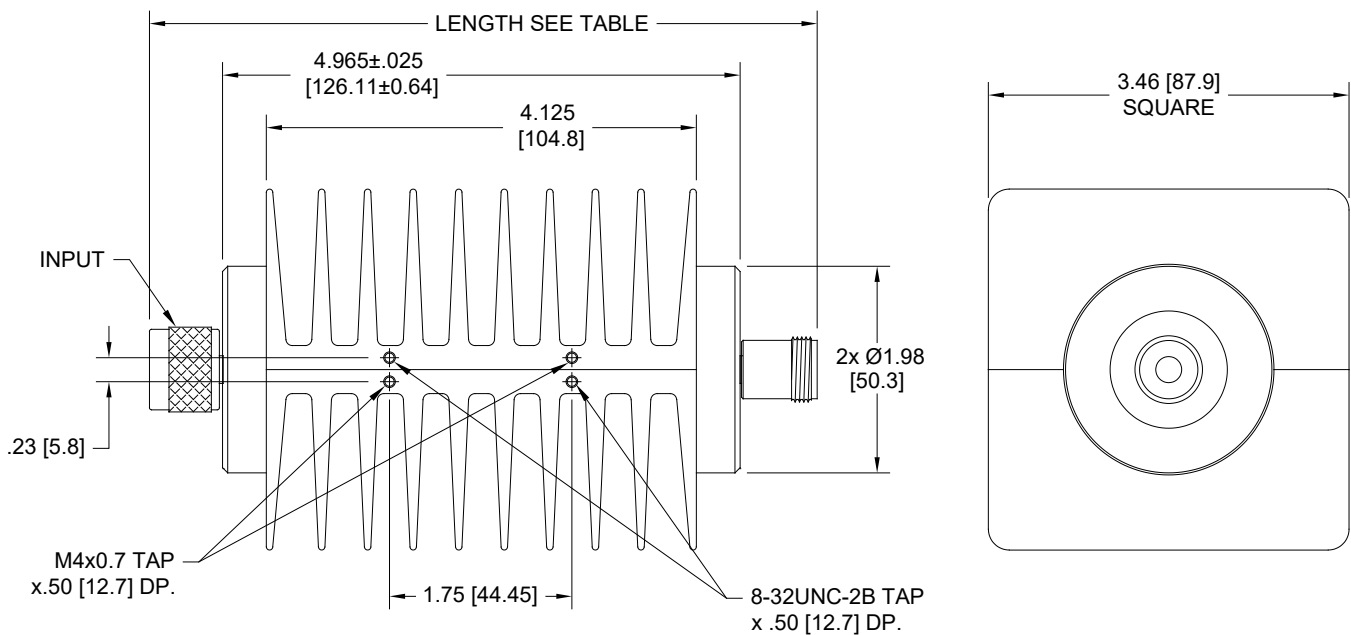
Frequency Range: DC to 4.0 GHz
Power: 150 Watts

Physical Dimensions

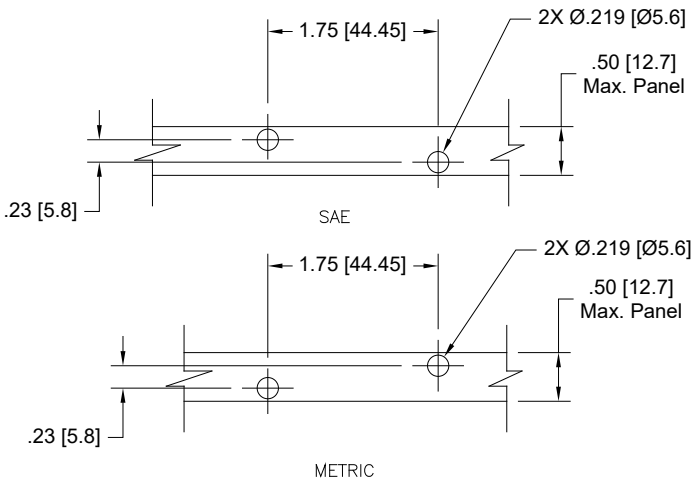
Model Number: 2N150W-03 shown

Units are unidirectional, therefore input connector must be specified and will be indicated on unit.

Dimensions in Brackets are in millimeters and are for reference only.



Recommended Mounting



Model number	Conn. Config.	Length
XN150W-XX	Male/Fem	6.36 ±.05 [161.5 ±1.3]
XN150W-XXF	Fem/Fem	6.45 ±.05 [163.8 ±1.3]
XN150W-XXM	Male/Male	6.28 ±.05 [159.5 ±1.3]

Design Specifications are subject change without notice.

REV A