

Power Splitters & Dividers Model 1550A and Model 1594

4-Way Resistive Power Dividers
Subminiature, SMA / 3.5mm Connectors

RoHS

dc to 3.0 GHz / 1 Watt
dc to 18.0 GHz / 2 Watts



Features

- Broadband Performance.
- Excellent Tracking Between Ports.
- Miniature Size and Light Weight.
- Wireless Applications - Model 1550A is specifically designed for use in the wireless communications bands.

Specifications

Nominal Impedance: 50 Ω

Frequency Range: 1550A: dc to 3.0 GHz
(usuable to 5 GHz)
1594: dc to 18.0 GHz

Insertion Loss*:

Model 1550A: 12 dB nominal, 13.5 dB maximum
Model 1594: 12 dB nominal, 14.5 dB maximum

* input port to any output port with all other terminated.

Maximum Input Power: 1550A: 1 Watt CW
1594: 2 Watts CW

Amplitude & Phase Tracking (Maximum)

Model No.	Frequency (GHz)	Tracking*	
		Amplitude	Phase
1550A	dc - 3	±0.5 db	±10°
1594	dc - 12	<2.0 dB	<30°
	12 - 18	<2.5 dB	<50°

*Between output ports.

Number of Ports: 1 input and 4 outpus.

Temperature Range: - 55°C to +100°C

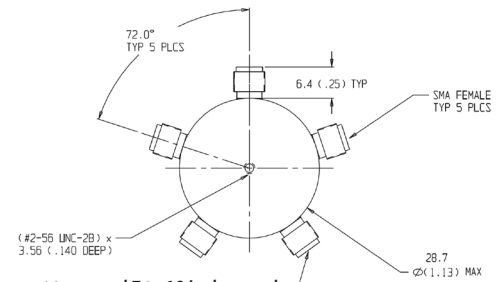
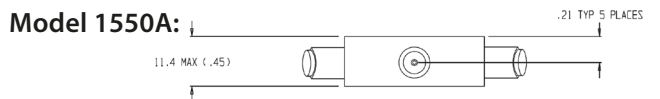
Connectors: Model 1550A: SMA female connectors all ports--mate nondestructively with other SMA, 2.92mm and 3.5mm connectors.
Model 1594: 3.5mm female connectors all ports--mate non-destructively with other SMA, 2.92mm and 3.5mm connectors.

Maximum SWR:

Model No.	SWR
1550A	1.25
1594	1.30

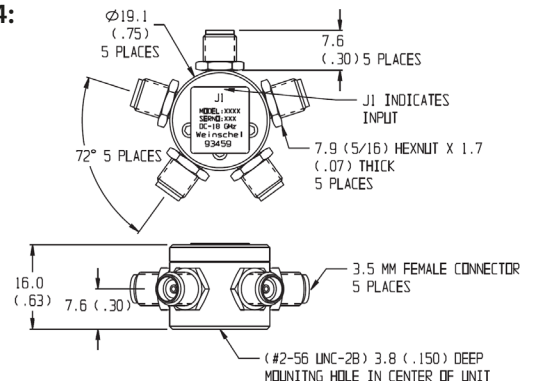
Weight: 1550A: 28 g (1.0 oz.) maximum
1594: 30 g (1.05 oz.) maximum

Physical Dimensions:



Caution:
Torque on connectors not to exceed 7 to 10 inch pounds (per MIL-C-39012. These connectors are press fit. exceeding this and may cause connector to come loose.

Model 1594:



NOTE: All dimensions are given in mm (inches) and are maximum, unless otherwise specified.