

Power Splitters & Dividers

Model 1506A, Broadband Resistive Power Divider

RoHS

Precision N Connectors

DC to 18 GHz
1 Watts

Features

- **Accurate Division and Low Frequency Sensitivity** - The symmetry of output power between the two arms is excellent across the frequency range.
- **High Stability** - Low temperature and power coefficients ensure attenuation stability.
- **Test Data** - Each divider is calibrated at four frequencies, and the data is supplied on a permanently attached test data plate.
- **Matched Ports** - Symmetrical 6 dB division permits any port to be used as input.

Specifications

Nominal Impedance: 50 Ω

Frequency Range: dc to 18.0 GHz

Maximum Input Power: 1 watt CW, 1 kilowatt peak (5 μsec pulse width, 0.05 % duty cycle)

Insertion Loss (between input & one output arm): 6 dB nominal, -0.2, +1.2 dB maximum to 10.0 GHz; +1.5 dB maximum to 18.0 GHz.

Number of Ports: 3, interchangeable for input and output

Phase Tracking: 5° maximum between ports (J2 & J3) with input connector (J1).

Amplitude Tracking:

Frequency (GHz)	Tracking
dc - 4	0.2 dB
4 - 10	0.4 dB
10 - 18	0.5 dB

Maximum SWR:

Frequency (GHz)	SWR
dc - 10	1.25
10 - 18	1.35



Power Coefficient: < 0.005 dB/dB/watt

Temperature Coefficient: <0.0004 dB/dB/°C

Temperature Range: -55 °C to 125 °C

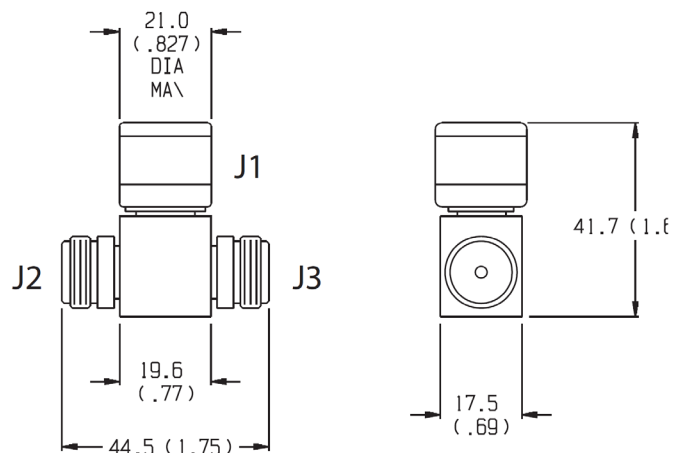
Construction: Nickel plated brass body; stainless steel connectors; gold plated beryllium copper contacts.

Test Data: Insertion loss data supplied at 50 MHz, 6.0, 12.0, and 18.0 GHz on nameplate only. No paper data supplied. Other test data can be provided at additional cost.

Connectors: Type N connectors per MIL-STD-348 interface dimensions - mate nondestructively with MIL-C-39012 connectors.

Weight: Net 140 g (5 oz)

Physical Dimensions:



NOTE: All dimensions are given in mm (inches) and are maximum, unless otherwise specified.