

Termination, Type N

Model TNXXX-150W

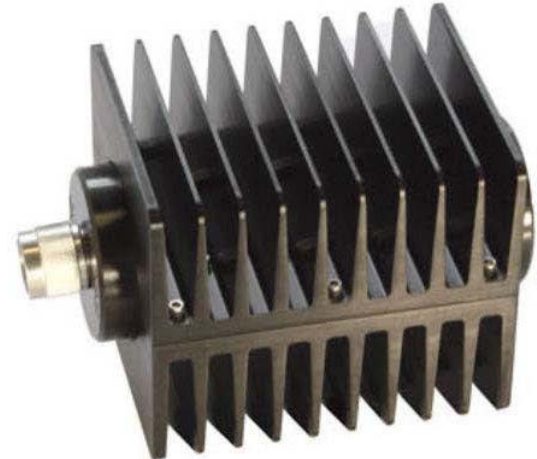
Features

- Compact physical design
- Ruggedized construction
- Optimized for test applications

Technical Specifications

Parameter	Value
Frequency Range	DC to 4 GHz
Standard Freq. Values	2.5 & 4 GHz
VSWR	
DC – 1.5 GHz	1.15:1 Max.
1.5 – 2.5 GHz	1.25:1 Max
2.5 – 4.0 GHz	1.35:1 Max
Input Power	150 Watts Avg. @+25°C <i>Derated Linearly to 30 Watts @ +125°C</i>
Peak Power	2 kW Max. <i>(5µSec Pulse, .05% Duty Cycle)</i>
Impedance	50 Ohms
Operating Temp. Range	-55°C to +125°C

Frequency Range: DC to 4.0 GHz
Power: 150 Watts



Mechanical

Feature	Material
Type N Connectors <i>Mates with MIL-STD-348</i>	Passivated Stainless Steel
Conductors	Gold Plated Beryllium Copper
Housing	Anodized Aluminum

Units must be mounted in such a way as to allow for free air flow around fins as to assure performance.

How to Order

TNXXXY-150W

Freq. Range

020 = DC - 2.5 GHz
040 = DC - 4 GHz

Conn Config.

F = Female
M = Male

Order Examples

Model Number: TN040M-150W

DC-4 GHz, Type N Male

Model Number: TS020F-150W

DC-2.5 GHz, Type N Female

Design Specifications are subject to change without notice.

REV A

Termination, Type N

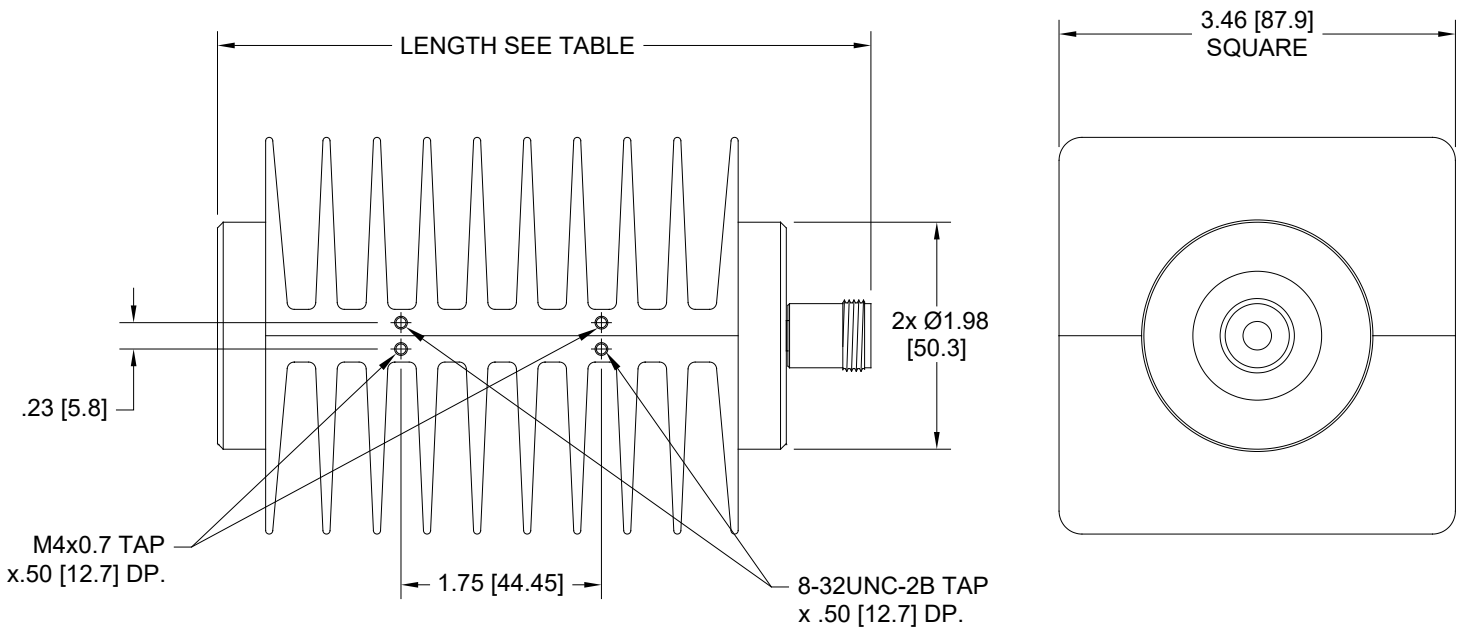
Model TNXXX-150W

Frequency Range: DC to 4.0 GHz
Power: 150 Watts

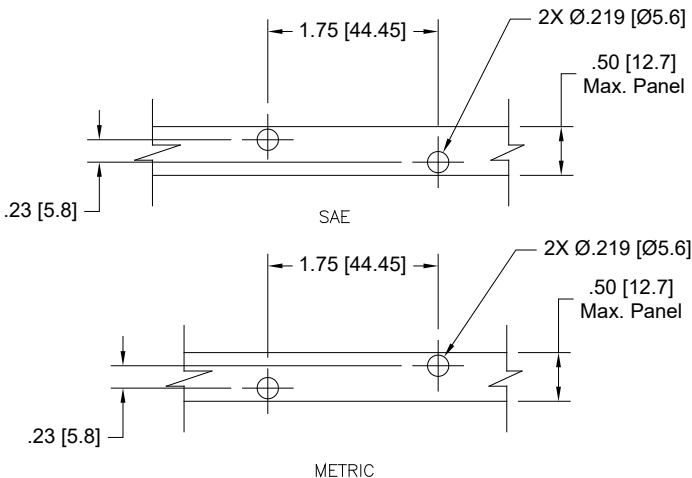
Physical Dimensions

Model Number: TN020F-150W shown

Dimensions in Brackets are in millimeters and are for reference only.



Recommended Mounting



Model number	Conn. Config.	Length
TNXXXM-150W	Male	5.62 ±.05 [142.7 ±1.3]
TNXXXF-150W	Female	5.71 ±.05 [145.0 ±1.3]

Design Specifications are subject to change without notice.

REV A