

# Termination, Type N

Model TNXXX-100W

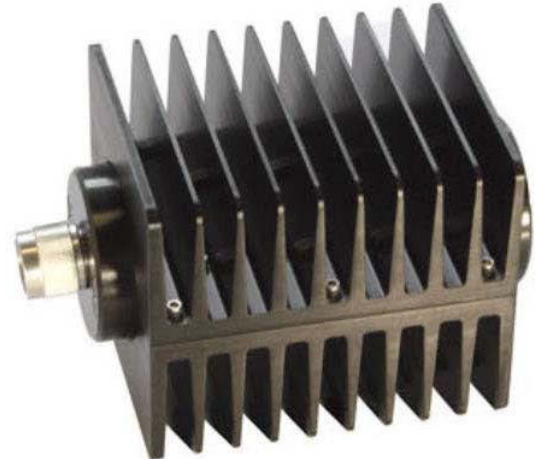
## Features

- Compact physical design
- Ruggedized construction
- Optimized for test applications

## Technical Specifications

Parameter	Value
Frequency Range	DC to 6 GHz
Standard Freq. Values	2.5 & 6 GHz
VSWR	
DC – 1.5 GHz	1.20:1 Max.
1.5 – 2.5 GHz	1.30:1 Max
2.5 – 6.0 GHz	1.40:1 Max
Input Power	100 Watts Avg. @+25°C <i>Derated Linearly to 20 Watts @ +125°C</i>
Peak Power	1 kW Max. <i>(5µSec Pulse, .05% Duty Cycle)</i>
Impedance	50 Ohms
Operating Temp. Range	-55°C to +125°C

Frequency Range: DC to 6.0 GHz  
Power: 100 Watts



## Mechanical

Feature	Material
Type N Connectors <i>Mates with MIL-STD-348</i>	Passivated Stainless Steel
Conductors	Gold Plated Beryllium Copper
Housing	Anodized Aluminum

Units must be mounted in such a way as to allow for free air flow around fins as to assure performance.

## How to Order

TNXXXY-100W

### Freq. Range

020 = DC - 2.5 GHz

060 = DC - 6 GHz

### Conn Config.

F = Female

M = Male

## Order Examples

Model Number: TN060M-100W

DC-6 GHz, Type N Male

Model Number: TS020F-100W

DC-2.5 GHz, Type N Female

Design Specifications are subject to change without notice.

REV A

# Termination, Type N

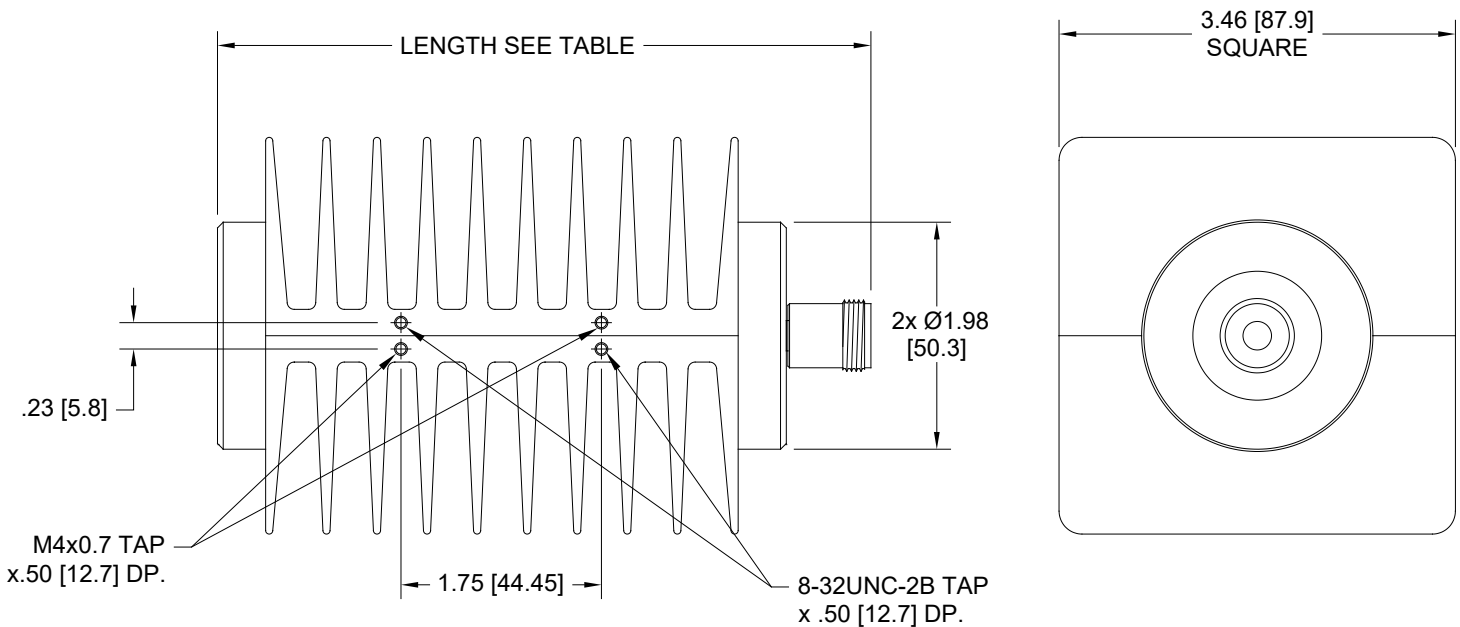
Model TNXXX-100W

**Frequency Range: DC to 6.0 GHz**  
**Power: 100 Watts**

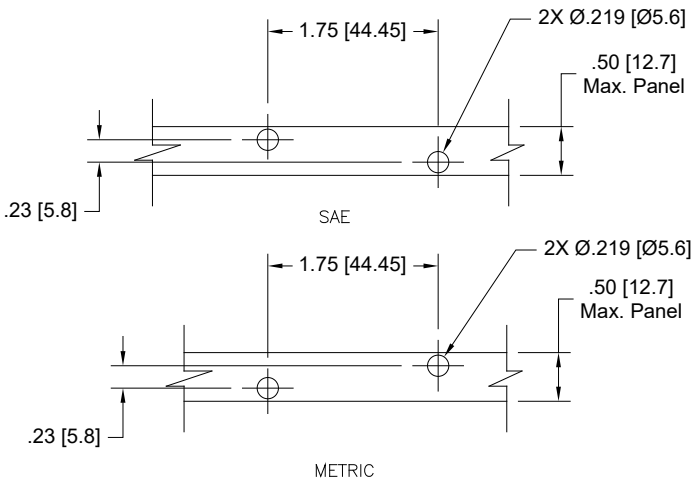
## Physical Dimensions

Model Number: TN020F-100W shown

Dimensions in Brackets are in millimeters and are for reference only.



## Recommended Mounting



Model number	Conn. Config.	Length
TNXXXM-100W	Male	5.62 ±.05 [142.7 ±1.3]
TNXXXF-100W	Female	5.71 ±.05 [145.0 ±1.3]

Design Specifications are subject to change without notice.

REV A