

ATTENUATOR PILL

**DC - 12 GHz
PSA**



MODELS: PSA-X

SPECIFICATIONS:

Electrical:

Frequency Range _____ DC - 12 GHz
 Nominal Impedance _____ 50 Ohms
 Standard dB Values _____ 3/6/10/20 dB
 Attenuation Accuracy (dB)

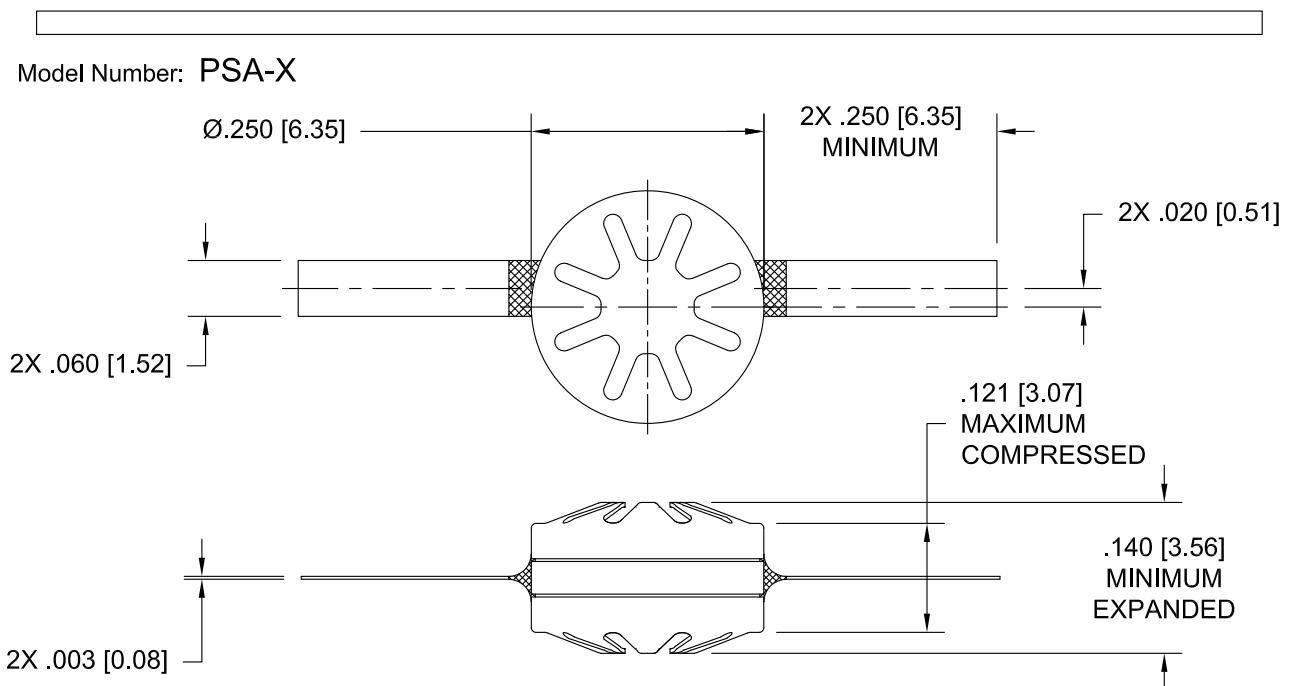
dB Value	DC-4 GHz	4-8 GHz	8-12 GHz
3	±0.5	±0.5	±0.5
6	±0.5	±0.5	±0.5
10	±0.5	±1.0	±1.5
20	±1.0	+0.5/-4	+1/-7

VSWR

DC - 4 GHz _____ 1.25:1 Max.
 4 - 8 GHz _____ 1.35:1 Max.
 8 - 12 GHz _____ 1.50:1 Max.
 Rated Power _____ 1.0 W Avg. @ 25°C
 Derated Linearly to 0 Watts @ 150°C
 Operating Temp. Range _____ -55°C to +150°C

Mechanical:

Body _____ Gold Plated Tellurium Copper
 Tabs _____ Gold Plated Beryllium Copper



Note: Dimensions in Brackets are Expressed in Millimeters and are for Reference Only.
 Design specifications are subject to change without notice.
 Contact factory for technical specifications before purchasing or use.