

Attenuator, Chip

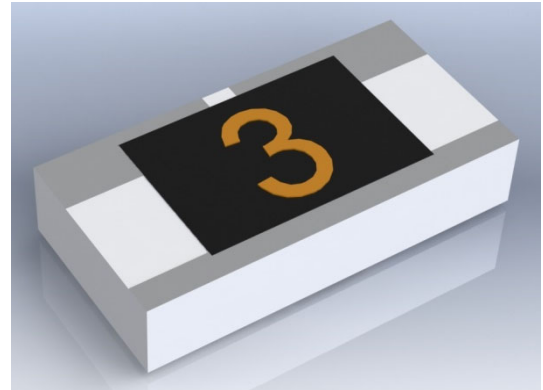
Model KPA1020S

Frequency Range: DC to 8.0 GHz
Power: 20Watt

Features

- Versatile installation options (reflow or wire-bonding)
- Thin Film Resistor
- High-frequency and High-Power performance suitable for 5G and Wifi 6(e) and DAS applications

KPA1020S Attenuators are designed to reduce the signal power uniformly at different frequencies, temperatures and power levels. These surface mount Attenuators can be used in amplifiers, receivers, up/down converters, and switching networks. KPA1020S series are available with tinned lead-free solder terminals as standard, with tin-lead solder and wirebondable gold as other finish options. Other dB values and wrap options are available upon request.



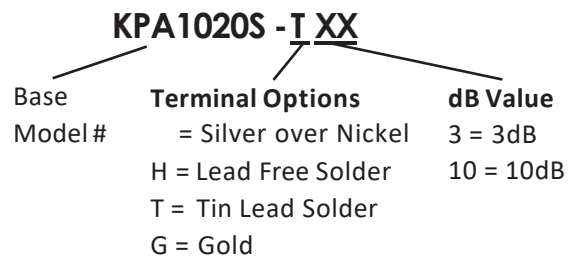
Technical Specifications (resistor side down)

Parameter		Value	
Frequency Range		DC to 8GHz	
Standard dB Values		1 thru 6, 10, 12 & 20dB	
Atten. Accuracy (dB)			
dB Value	DC – 4 GHz	4-6 GHz	6-8 GHz
1 – 7 dB	±0.5 dB	±0.5 dB	±0.5 dB
9 & 10 dB	±0.5 dB	±0.75 dB	±1.25 dB
12 dB	±0.5 dB	±1.25 dB	±2.0 dB
20 dB	±2.0 dB		
Impedance		50 Ohms	
Power Handling*		20 Watts Max.	
VSWR	DC – 4 GHz	1.20:1 Max.	
	4 - 6 GHz	1.35:1 Max.	
	6 – 8 GHz	1.50:1 Max.	
Operating Temp. Range		-55°C to +150°C	

Material

Feature	Material
Substrate	Beryllium Oxide
Resistor Material	Proprietary Thin Film
Finish	Silver (Standard) <i>See "How to order" for tinning & other finish options</i>

How to Order



*Mounting surfaces shall not exceed 100°C. Max.

Design Specifications are Subject to change without notice.

REV B

Attenuator, Chip

Model KPA1020S

Frequency Range: DC to 8.0 GHz
Power: 20Watt

Order Examples

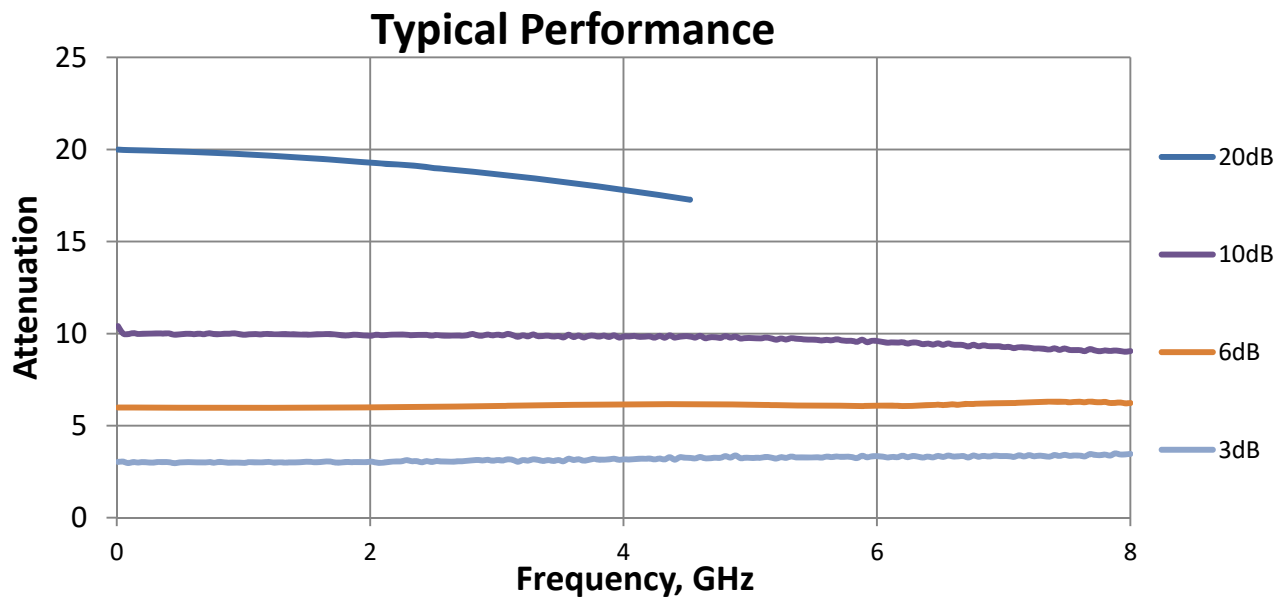
Model Number: KPA1020S-H6

Lead Free Solder, 6dB

Model Number: KPA1020S-3

Silver, 3dB

Performance Characteristics



Design Specifications are Subject to change without notice.

Attenuator, Chip

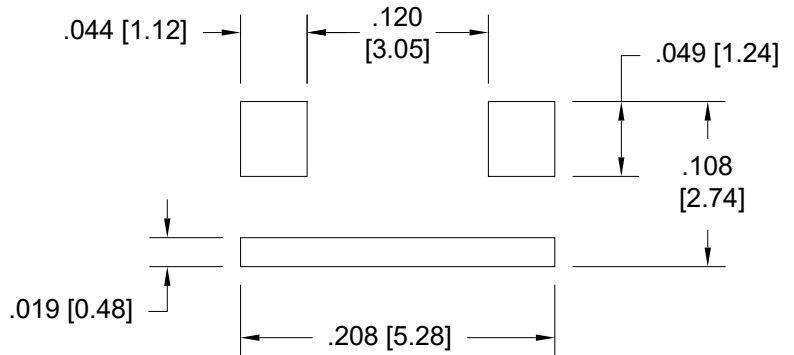
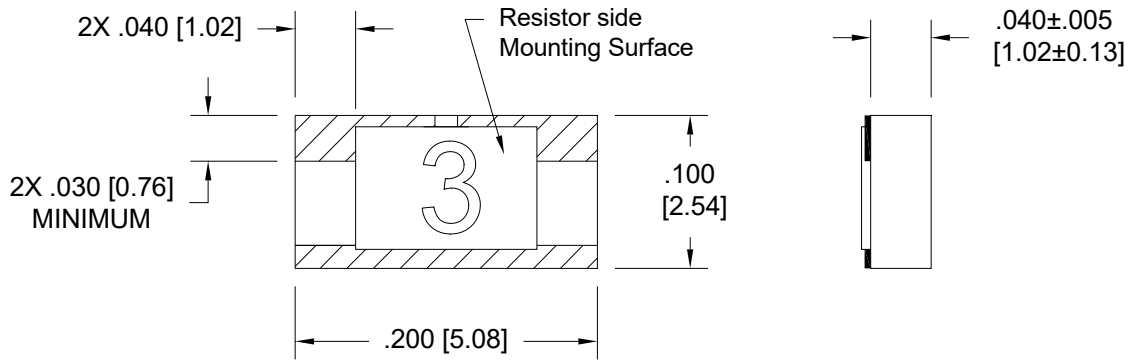
Model KPA1020S

Frequency Range: DC to 8.0 GHz
Power: 20Watt

Physical Dimensions

Model Number: KPA1020S-3 shown

Tolerance: .XXX" = ±.005"



Recommended Land Pattern

Dimensions are for substrate only and do not include terminal thickness or optional tinning thickness.

NOTE: Dimensions in Brackets [] are expressed in Millimeters and are for reference only.

Design Specifications are Subject to change without notice.