

Fixed Coaxial Attenuators Model 40 and Model 57

RoHS

High Power, N or SMK Connectors

dc to 1.5 GHz
dc to 6.0 GHz
150 Watts

Features

- Quality connectors with special high temperature support beads
- Designed to meet environmental requirements of MIL-DTL-3933

Specifications

Nominal Impedance: 50 Ω

Frequency Range: Model 40: dc to 1.5 GHz

Model 57: dc 6.0 GHz

Maximum Deviation Over Frequency:

Nominal ATTN (dB)	Deviation (dB)		
	40	57	57-LIM
3	± 0.50	± 1.25	---
6, 10	± 0.50	± 1.25	± 1.75
20, 30	± 0.50	± 1.50	± 2.00
40	± 0.50	± 2.00	± 2.00

Maximum SWR:

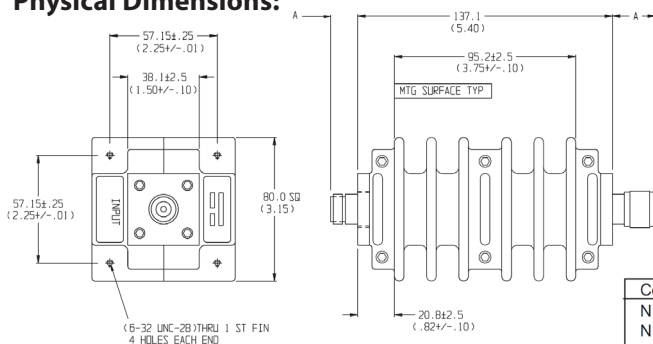
Frequency (GHz)	Input	Output
dc - 2 (1.5*)	1.10	1.10
2 - 6	1.15	1.20

* Model 40 only!

3rd Order Intermodulation (57-XX-XX-Lim Only):

Reflected Levels (IM3), -100 & Through Levels (IM3), -110 dBc with two input signals @ 869 MHz and 891 MHz with average carrier power levels of +43 dBm each. Option only available 6, 10, 20, 30, 40 dB.

Physical Dimensions:



Power Rating (mounted horizontally with fins

vertical): 150 watts average (unidirectional) to 25°C ambient temperature, derated linearly to 15 watts @ 125°C. 10 kilowatt peak (5 μsec pulse width; 0.75% duty cycle). Maximum power rating into output port is 20 watts average.

Power Coefficient: <0.0001 dB/dB/watt

Temperature Coefficient: <0.0004 dB/dB/°C

Temperature Range: -55°C to 125°C

Test Data: Swept data plots of attenuation and SWR from 50 MHz to 1,5 / 6 GHz.

Connectors:

Type N connectors per MIL-STD-348 interface dimensions - mate nondestructively with MIL-C-39012 connectors. SMK (2.92mm) connectors - mate nondestructively with SMA per MIL-C-39012, 3.5mm, SMK, and other 2.92mm connectors.

Options	Description	Options	Description
1	SMK, Female	3	Type N, Female
2	SMK, Male	4	Type N, Male

Connector	DIM A	Connector	DIM A
N Male	22.9 (0.90)	2.92mm Male	14.0 (0.55)
N Female	15.0 (0.59)	2.92mm Female	12.7 (0.50)

Note: All dimensions are given in mm (inches) and are maximum, unless otherwise specified.

Fixed Coaxial Attenuators Model 40 and Model 57

High Power, N or SMK Connectors

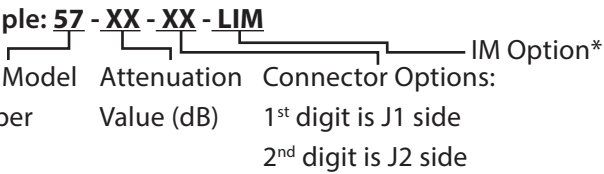
dc to 12.4 GHz
dc to 18.0 GHz
150 Watts

Construction: Aluminum alloy body, stainless steel connectors; gold plated beryllium female copper contacts and stainless steel male contacts.

Weight: 1,130 g (2 lbs, 8 oz.) maximum

Model Number Description:

Example: 57 - XX - XX - LIM



*Add -LIM to entire model number for Low Intermodulation option. Option only available in 10, 20, 30, 40 dB and is not available through Express.