

# Termination Flanged

Model: ANT300-25

**DC to 4.0 GHz  
25 Watts**

## Specifications

- High Power
- Thin Film Design
- Integrated Heat Sink

Designed to uniformly reduce power of the RF signal while generating only a small reflection, even under maximum power conditions.

## Technical Specifications

**Frequency Range:** DC - 4.0 GHz

**Impedance:** 50 Ohms

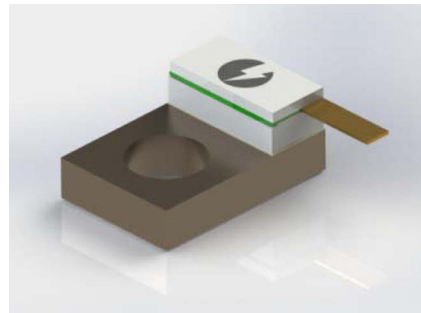
**Power Handling\*:** 25 Watts average  
Derated Linearly to 0 Watts @ +150°C

**VSWR:** DC — 2.5 GHz \_\_\_\_\_ 1.35:1 Max.  
2.5 — 4.0 GHz \_\_\_\_\_ 1.60:1 Max.

**Peak Power:** 2 kW Max.  
(5uSec Pulse, .05% Duty Cycle)

**Impedance:** 50 Ohm

**Operating Temp. Range:** -55° to +150°C



## Material

**Substrate:** Aluminum Nitride

**Resistor Material:** Proprietary Thin Film

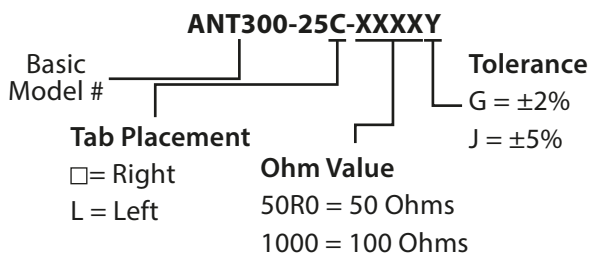
**Cover:** Alumina Ceramic

**Flange:** Nickel Plated Copper

**Tab:** Gold Plated Beryllium Copper

*\*Mounting surfaces shall not exceed 100°C. Max.*

## How to Order



## Ordering Examples:

**Model Number:** ANT300-25-50R0J

Right tab placement, 50 ohm, ±5%

**Model Number:** ANT300-25L-2000G

Left tab placement, 200 ohm, ±2%

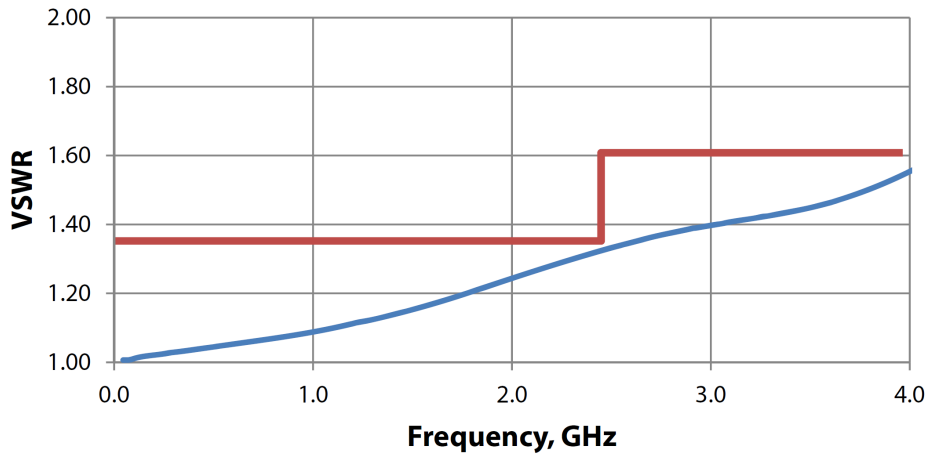
# Termination Flanged

Model: ANT300-25

DC to 4.0 GHz  
25 Watts

## Performance Characteristics

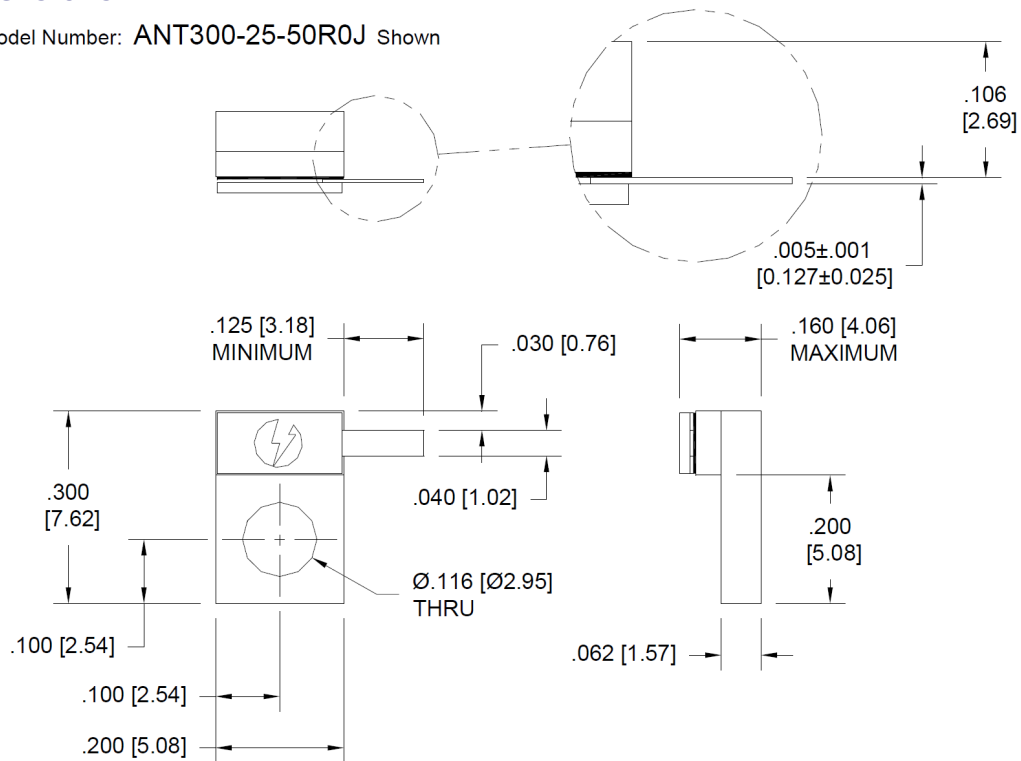
Typical Performance



## Physical Dimensions

Model Number: ANT300-25-50R0J Shown

Tolerance: .XXX" - ±.010"



Note: Dimensions in Brackets [ ] are expressed in Millimeters and are for reference only