

DC Blocks SMA

Models: 8037, 8038, 8039, 8040, 8041, 8042, 8043, 8044, 8045

**10 MHz - 18 GHz
200 Volts**

Specifications

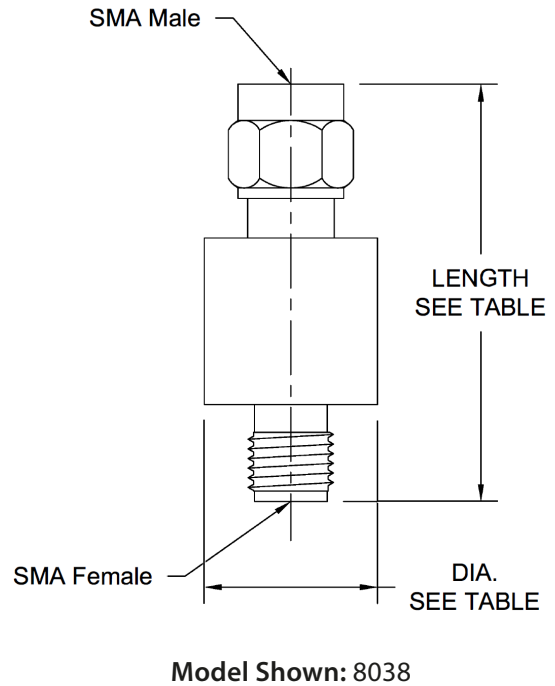
Electrical

Frequency Range: 10 MHz - 18 GHz
VSWR: 1 .35: 1 Max.
Impedance: 50 Ohms
Insertion Loss: 0.5 dB Max.
Voltage Rating: 200 Volts Max.
Operating Temp. Range: -65°C to + 125°C

Mechanical

SMA Connectors: Passivated Stainless Steel
 Mates with MIL-STD-348
Conductors: Gold Plated Beryllium Copper
Housings:
 Inner Only Blocks: Passivated Stainless Steel
 Outer and Inner/Outer Blocks: High Temp. Plastic

Table					
Model Number	Block Type	Conn. Config.	Weight Grams Max.	Diameter	Length
8037	Inner Only	Male/ Female	8.2	Ø.36 [9.1]	1.20 ± .03 [30.5 ± 0.8]
8038	Outer Only			Ø.50 [12.7]	
8039	Inner-Outer			Ø.50 [12.7]	
8040	Inner Only	Female/ Female	6.4	Ø.36 [9.1]	1.07 ± .03 [27.1 ± 0.8]
8041	Outer Only			Ø.50 [12.7]	
8042	Inner-Outer			Ø.50 [12.7]	
8043	Inner Only	Male/ Male	10.7	Ø.36 [9.1]	1.33 ± .03 [33.8 ± 0.8]
8044	Outer Only			Ø.50 [12.7]	
8045	Inner-Outer			Ø.50 [12.7]	



*Note: Dimensions in Brackets are Expressed in Millimeters and are for Reference Only.
 Design specifications are subject to change without notice.
 Contact factory for technical specifications before purchasing or use.*