

Terminations & Loads Model 1439, High Power, N or SMK Connectors

RoHS

**dc to 2.5 GHz
150 Watts**

Conduction / Convection Cooled

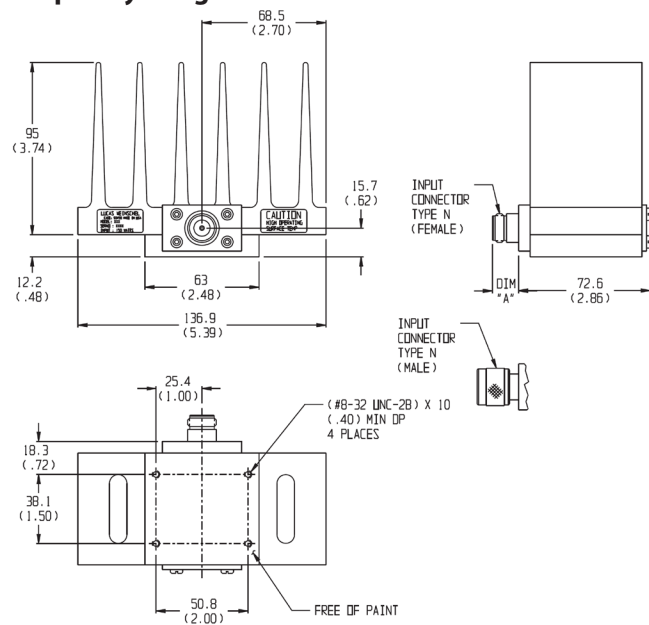
Features

- **Compact Construction**- Lowest size/power ration
- **Flexible Mounting Position** - The units may be mounted in horizontal (fins up) or vertical position
- **Rugged Construction** - Quality connector with special high temperature support bead

Specifications

Nominal Impedance: 50 Ω

Frequency Range: dc to 2.5 GHz



Model #	DIM A	Connector Type
1439-1	12.7 (0.50)	2.92mm female
1439-2	14.0 (0.55)	2.92mm male
1439-3	15.0 (0.59)	N female
1439-4	22.9 (0.90)	N male

Note: All dimensions are given in mm (inches) and are maximum, unless otherwise specified

Maximum SWR:

Frequency (GHz)	SWR
dc - 2.5	1.20

Power Rating: 150 watts average (mounted horizontally or vertically assuming unobstructed air flow and natural convection around unit), 10 kilowatts peak (5 μsec pulse width; 0.75% duty cycle). Case temperature must be held to **100°C maximum**.

Temperature Range: -55°C to 100°C case

Test Data: Swept data plots of SWR from 50 MHz to 2.5 GHz is available at additional cost.

Connector: Type N connector per MIL-STD-348 inter-face dimensions - mate nondestructively with MIL-C-39012 connector. Choice of male (-4) or female connector (-3).

SMK (2.92mm) connector mates nondestructively with SMA per MIL-C-39012, 3.5mm and other 2.92mm (SMK) connector. Choice of male (-2) or female connector (-1).

Construction: Black, finned aluminum body, stainless steel connector; gold plated beryllium copper female contact or stainless steel male contact.

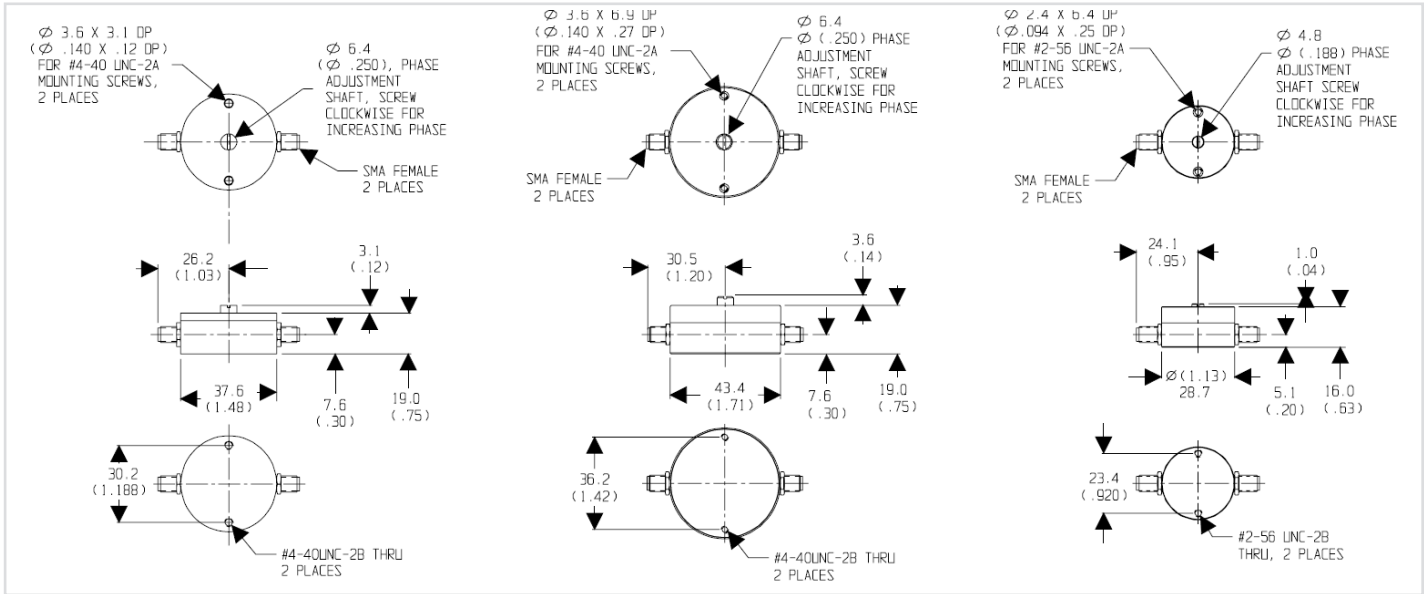
Weight: 850 g (1 lb, 14 oz)

Mechanical Phase Shifters: Model 980 Coaxial Phase Shifters

SMA Connectors

**dc to 2.5 GHz
150 Watts**

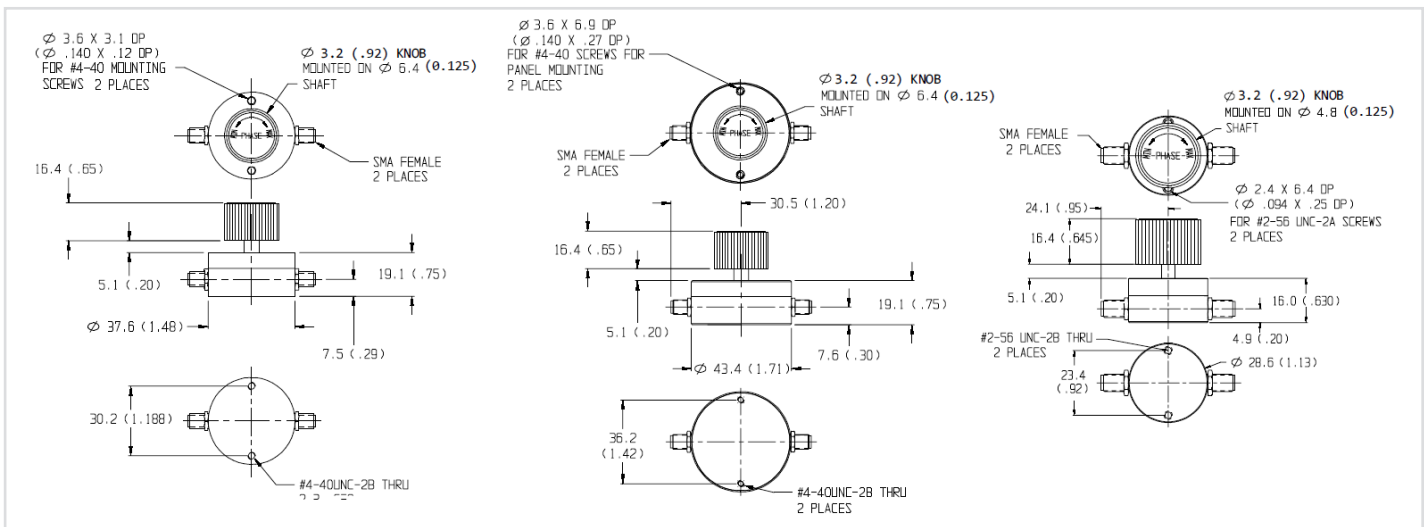
Physical Dimensions:



Model 980-1

Model 980-2

Models 980-3 & 980-4



Model 980-1K

Model 980-2K

Models 980-3K & 980-4K

NOTE: All dimensions are given in mm (inches) and are maximum, unless otherwise specified.