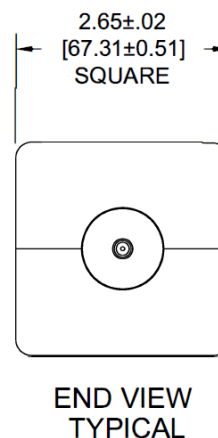


Technical Specifications

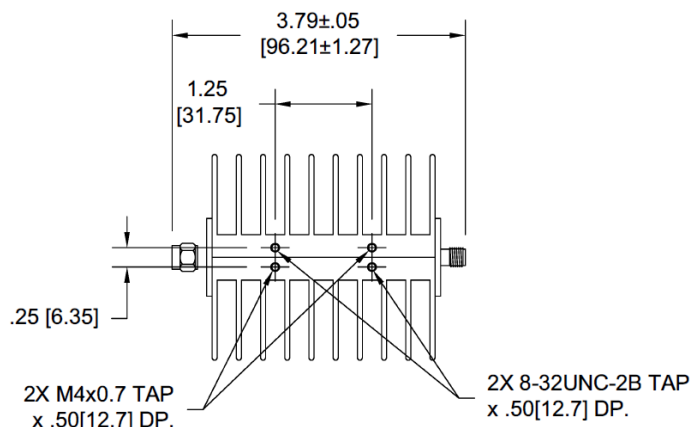
Parameter	Value		
	<i>Electrical</i>		
Frequency Range	DC – 18 GHz		
Standard dB Values	0, 3, 6, 10, 20, 30, & 40 dB		
Attenuation Accuracy	DC – 6 GHz	6 – 12.4 GHz	12.4 – 18 GHz
	0 – 6 dB	±0.3 dB	±0.75 dB
	7 – 20 dB	±0.5 dB	±1.0 dB
	21 – 30 dB	±0.75 dB	±1.25 dB
31 – 40 dB	±1.0 dB	±1.5 dB	
VSWR	DC – 6 GHz	1.20:1 max.	
	6 – 12.4 GHz	1.30:1 max.	
	12.4 – 18 GHz	1.40:1 max.	
Input Power	25 Watts Average @ 25°C <i>Derated linearity to 5 watts @ +125°C</i>		
Peak Power	500 Watts max. (5µSec pulse, 0.05% duty cycle)		
Impedance	50 Ohms		
Operation Temp. Range	-65°C to +125°C		

Parameter	Value
	<i>Mechanical</i>
SMA Connectors Mates with MIL-STD-348	Passive Stainless Steel
Conductors	Gold Plated Beryllium Copper
Housing	Anodized Aluminum



Units must be mounted in such a way to allow for free air flow around the fins as to assure performance.

Connector Configuration	Inches	Millimeters
Male/Female – 18B25W-XX	3.79 ± .05	[96.3 ± 1.3]
Female/Female – 18B25W-XXF	3.66 ± .05	[93.0 ± 1.3]
Male/Male – 18B25W-XXM	3.92 ± .05	[99.6 ± 1.3]



How To Order

Model #: **18B25W-XXY**
 dB Value

Connector Configuration
 = Male/Female
 F = Female/Female
 M = Male/Male

Order Example

Model number: 18B25W-20
 DC-18 GHz, 20 dB, SMA male/female

**Dimensions in brackets are expressed in millimeters and are for reference only.

sales@am.spectrumcontrol.com

Approved for Release: November 2024/Brown

Spectrum Control reserves the right to make changes to datasheets at any time without notice.