

*High Current*  
**DC Single Line Pi Series**

**Features**

- Voltage rating of 130VDC
- Pi configuration with Class Y4 capacitors
- Current rating up to 200 Amps
- Excellent filtering in compact package
- Bolt-in style with D-shaped bushing for easy installation
- Low cost EMI solution
- UL and Semko approved

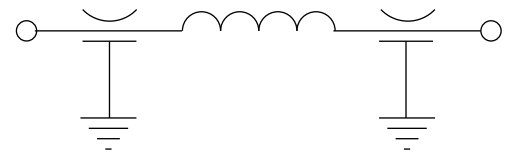
**Applications**

- Telecommunications (cellular base stations, telephone switching racks, etc.)
- Power supplies
- Medical equipment
- C.O.T.S. (commercial-off-the-shelf) Military
- Industrial equipment controls
- Data transmission equipment



**RoHS  
COMPLIANT**

**Circuit Diagram**



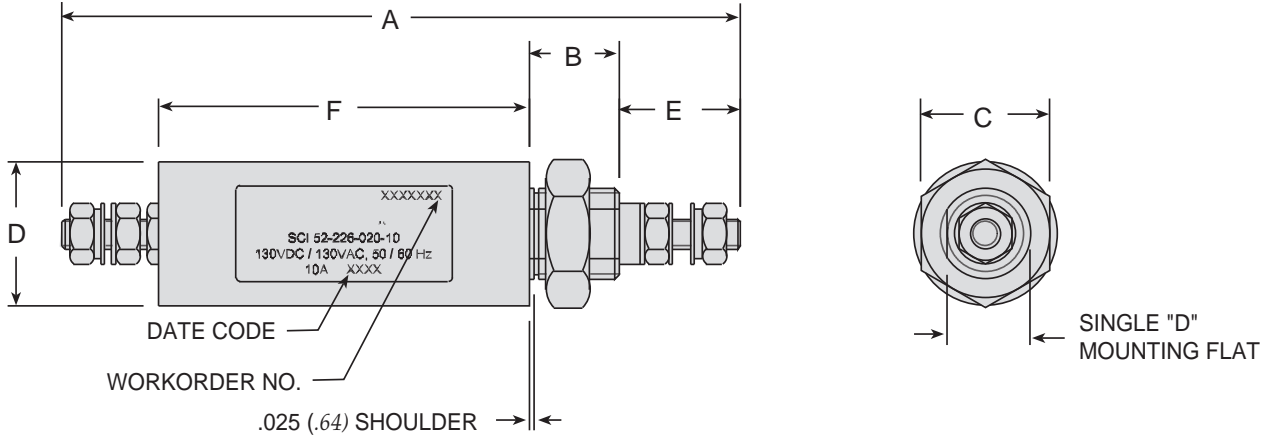
**Specifications**

Part Number	Rated Current	Min. Cap. (2X)	Minimum Insertion Loss (db) *					
			.01MHz	.10MHz	1MHz	10MHz	100MHz	1000MHz
<b>Standard Performance</b>								
52F226-020-10	10A	10nF	-	-	8	23	70	80
52F226-020-16	16A				35			
52F226-020-32	32A				10	23	50	
52F226-020-63	63A				100nF	8	27	
52F226-020-200	200A	470nF	7	23	30	60		
<b>High Performance</b>								
52F226-029-10	10A	100nF	-	8	25	75	80	80
52F226-029-16	16A							
52F226-029-32	32A							
52F226-029-200	200A	4700nF	20	40	80	80		

\* Optimum performance with proper installation

# High Current

## DC Single Line Pi Series



### Dimensions

Part Number	A	B	C	D	E	F
<b>Standard Performance</b>						
52F226-020-10	3.54 (90)	0.47 (12)	0.67 (17)	0.75 (19.05)	0.63 (16)	1.93 (49)
52F226-020-16	3.86 (98)				0.71 (18)	2.09 (53)
52F226-020-32					1.02 (26)	3.70 (94)
52F226-020-63	6.30 (160)	0.55 (14)	0.87 (22)	1 (25.40)	1.57 (40)	4.41 (112)
52F226-020-200	8.23 (209)	0.75 (19)	1.06 (27)	1.50 (38.10)	1.57 (40)	4.41 (112)
<b>High Performance</b>						
52F226-029-10	5.12 (130)	0.47 (12)	0.67 (17)	0.75 (19.05)	0.63 (16)	3.50 (89)
52F226-029-16	5.47 (139)				0.71 (18)	3.70 (94)
52F226-029-32					1.57 (40)	7.17 (182)
52F226-029-200	11 (279)	0.75 (19)	1.57 (40)	2 (50.80)	1.57 (40)	7.17 (182)

Dimensions in inches (mm)