

High Current
AC Single Line Feedthrough Series

Features

- Voltage rating of 250VAC
- C configuration with Class Y2 capacitors
- Current rating up to 300 Amps
- Excellent filtering in compact package
- Bolt-in style with D-shaped bushing for easy installation
- Low cost EMI solution
- Design Flexibility
- UL and Semko approved

Applications

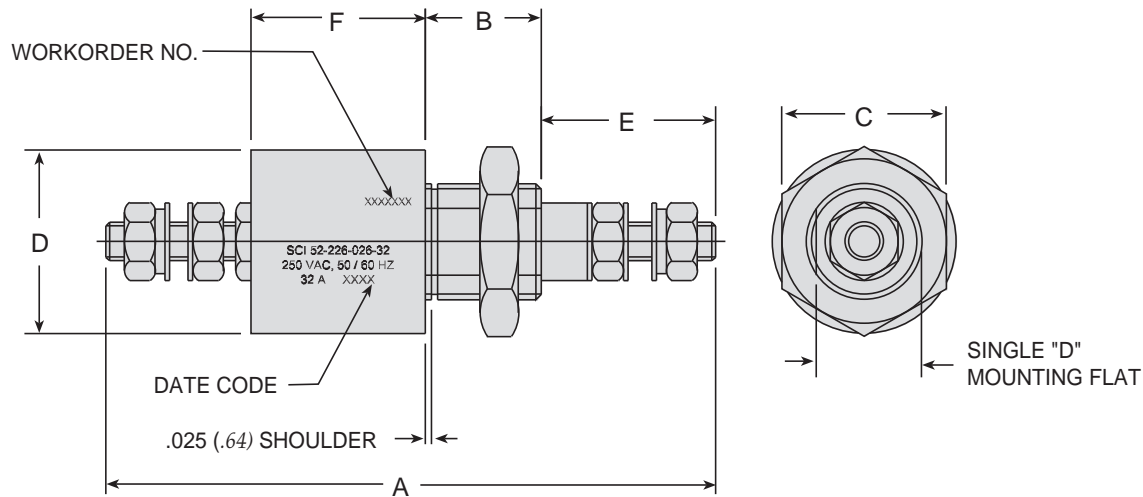
- Telecommunications (cellular base stations, telephone switching racks, etc.)
- Power supplies
- Medical equipment
- C.O.T.S. (commercial-off-the-shelf) Military
- Industrial equipment controls
- Data transmission equipment

Specifications

Part Number	Rated Current	Min. Cap.	Minimum Insertion Loss (db) *									
			.01MHz	.10MHz	1MHz	10MHz	100MHz	1000MHz				
52F226-016-10	10A	2.2nF	-	-	-	9	30	45				
52F226-016-16	16A	4.7nF			5	-	15	34	54			
52F226-016-32	32A					4	21	41	60			
52F226-016-63	63A	10nF		100nF		5	21	40	60	80		
52F226-016-200	200A	220nF			10		27	47	67	80		
52F226-016-250	250A						47nF	15	34	53	74	
52F226-016-300	300A			100nF		5	21	40	60	80		
52F226-026-10	10A	4.7nF		-	-	-	15	34	54			
52F226-026-16	16A	10nF				5	-	21	40	60	80	
52F226-026-32	32A						4	21	41	60		
52F226-026-63	63A	47nF			100nF		10	27	47	67	80	
52F226-026-100	100A	100nF				220nF		16	33	52	75	80
52F226-026-200	200A	200A							47nF	15	34	53
52F226-026-250	250A	250A			47nF		5		21	40	60	80
52F226-026-300	300A	300A			47nF	10	27	47	67	80		
52F226-036-32	32A	33nF	-		-	-	15	34	54			
52F226-036-63	63A	100nF				5	-	21	40	60	80	
52F226-036-100	100A	220nF					4	21	41	60		
52F226-036-200	200A	470nF			16		27	47	67	80		
52F226-036-250	250A					100nF	220nF	16	33	52	75	80
52F226-036-300	300A					100nF			5	21	40	60
52F226-046-16	16A	100nF			-	-			-	15	34	54
52F226-046-32	32A	47nF		5			-	21	40	60	80	
52F226-046-63	63A	220nF					4	21	41	60		
52F226-046-100	100A	470nF				1000nF	20	27	47	67	80	
52F226-046-200	200A	200A		47nF				40	60	80	80	
52F226-046-250	250A	250A		47nF					6	20	40	60
52F226-046-300	300A	300A		47nF		6	20		40	60	80	



High Current AC Single Line Feedthrough Series



Dimensions

Part Number	A	B	C	D	E	F	
52F226-016-10	2.24 (57)	0.39 (10)	0.51 (13)	0.56 (14.29)	0.63 (16)	0.71 (18)	
52F226-016-16	2.48 (63)	0.47 (12)	0.67 (17)	0.75 (19.05)	0.71 (18)		
52F226-016-32							
52F226-016-63	3.78 (96)	0.55 (14)	0.87 (22)	1 (25.40)	1.02 (26)	1.18 (30)	
52F226-016-200	5.12 (130)	0.75 (19)	1.06 (27)	1.5 (38.10)	1.57 (40)	1.30 (33)	
52F226-016-250	5.83 (148)		1.57 (40)	2 (50.80)	1.81 (46)	1.65 (42)	
52F226-016-300							
52F226-026-10	2.24 (57)	0.39 (10)	0.51 (13)	0.56 (14.29)	0.63 (16)	0.71 (18)	
52F226-026-16	2.48 (63)	0.47 (12)	0.67 (17)	0.75 (19.05)	0.71 (18)		
52F226-026-32							
52F226-026-63	3.78 (96)	0.55 (14)	0.87 (22)	1 (25.40)	1.02 (26)	1.18 (30)	
52F226-026-100	4.45 (113)	0.63 (16)	1.06 (27)	1.25 (31.75)	1.26 (32)	1.30 (33)	
52F226-026-200	5.12 (130)	0.75 (19)		1.5 (38.10)	1.57 (40)		
52F226-026-250	5.83 (148)			1.57 (40)	2 (50.80)		1.81 (46)
52F226-026-300							
52F226-036-32	2.95 (75)	0.47 (12)	0.67 (17)	0.75 (19.05)	0.71 (18)	1.18 (30)	
52F226-036-63	3.78 (96)	0.55 (14)	0.87 (22)	1 (25.40)	1.02 (26)		
52F226-036-100							
52F226-036-200	4.57 (116)	0.75 (19)	1.06 (27)	1.5 (38.10)	1.26 (32)	1.30 (33)	
52F226-036-250	5.79 (147)		1.57 (40)		2 (50.80)	1.57 (40)	1.97 (50)
52F226-036-300				6.30 (160)		1.81 (46)	2.13 (54)
52F226-046-16	3.03 (77)	0.55 (14)	0.87 (22)	1 (25.40)	0.71 (18)	1.18 (30)	
52F226-046-32	2.95 (75)	0.47 (12)	0.67 (17)				
52F226-046-63	4.45 (113)	0.63 (16)	1.06 (27)	1.25 (31.75)	1.02 (26)	1.30 (33)	
52F226-046-100	5.24 (133)	0.75 (19)		1.5 (38.10)	1.26 (32)		1.97 (50)
52F226-046-200	5.79 (147)			1.57 (40)	2 (50.80)		
52F226-046-250	6.30 (160)	0.75 (19)	1.57 (40)			2 (50.80)	1.81 (46)
52F226-046-300							

Dimensions in inches (mm)