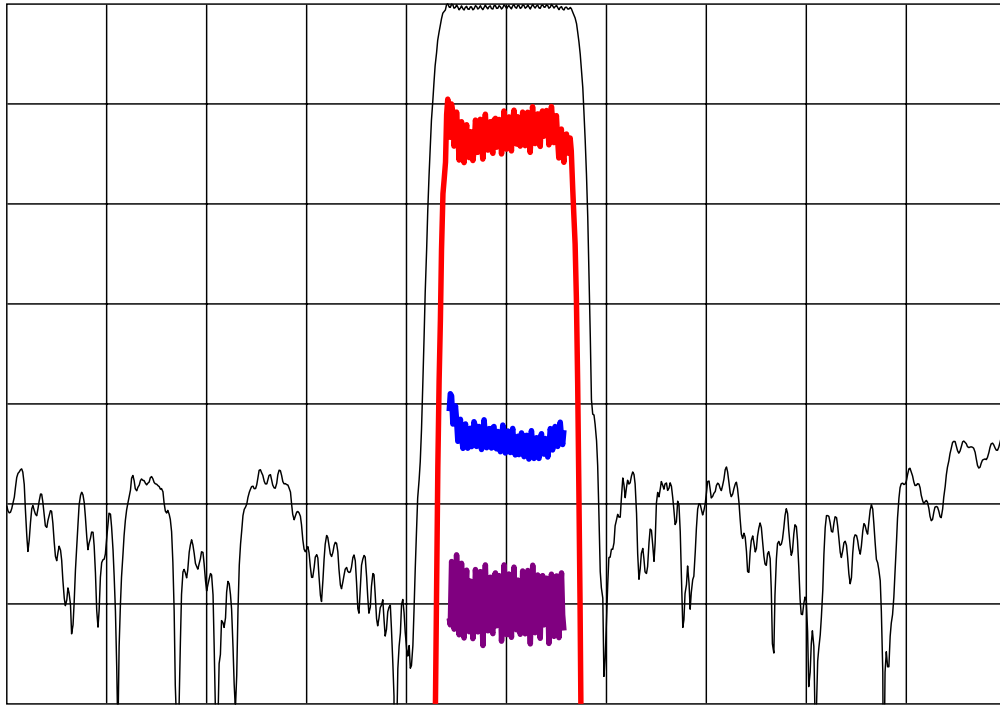


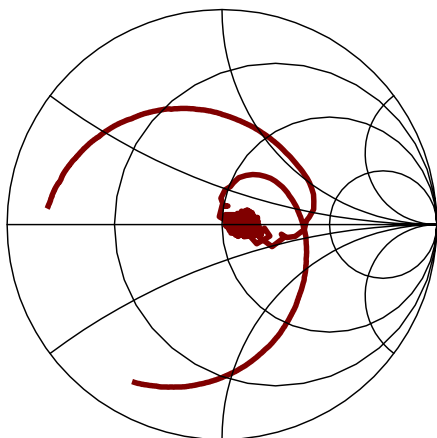
- 140 MHz SAW bandpass filter with 9.3 MHz bandwidth
- 13.3 x 6.5 mm ceramic LCC package
- RoHS compliant

TYPICAL PERFORMANCE

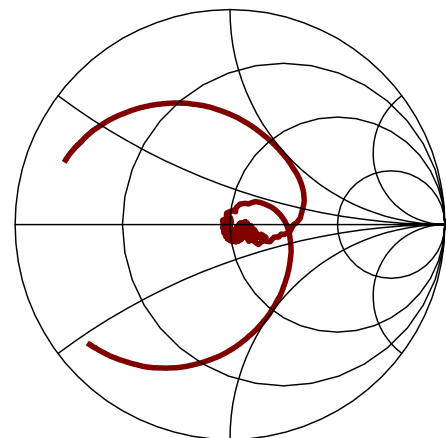


Horizontal:	Frequency	8	MHz / div
Vertical (from top):	Magnitude	10	dB/div
	Magnitude	1	dB/div
	Phase Deviation	10	deg/div
	Group Delay Deviation	100	ns/div

S11 (100-180 MHz)



S22 (100-180 MHz)



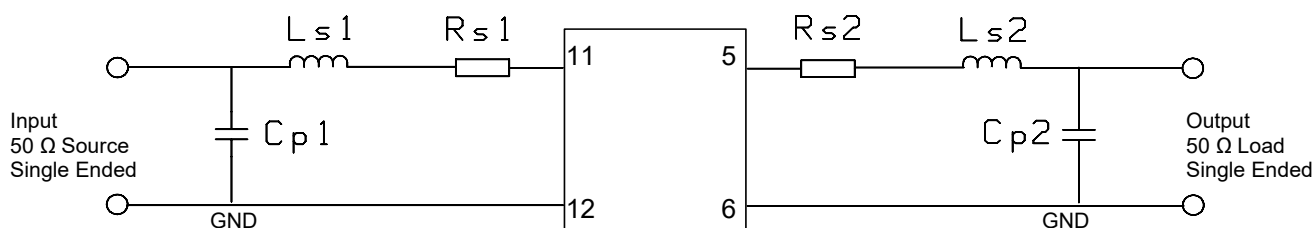
Parameter	Min	Typ	Max	Units
Center Frequency (Fc) ¹	-	140.00	-	MHz
Insertion Loss ²	-	12.5	13	dB
Lower 1dB Band Edge	-	134.86	135.35	MHz
Upper 1dB Band Edge	144.65	145.30	-	MHz
Lower 30dB Band Edge	132.325	133.44	-	MHz
Upper 30dB Band Edge	-	146.60	147.675	MHz
Lower 40dB Band Edge	120	133.22	-	MHz
Upper 40dB Band Edge	-	146.77	155	MHz
Passband Ripple ³	-	0.6	1	dB p-p
In/Out Return Loss at Fc	12	18	-	dB
Rejection ²				
(70 to 120 MHz)	40	45	-	dB
(155 to 210 MHz)	40	45	-	dB
Temperature Coefficient of Frequency	-	-86	-	ppm/°C
Ambient Temperature	-	25	-	°C
System Source and Load Impedance		50		Ω

Notes: 1. Defined as the average of the lower and upper 3 dB frequencies.
 2. All dB levels are defined relative to the insertion loss.
 3. Defined over 135.35 to 144.65 MHz.

MAXIMUM RATINGS

Parameter	Min	Max	Units
Storage Temperature Range	-55	85	°C
Operating Temperature Range	-15	85	°C
Input Power Level	-	+13	dBm
DC Voltage Between Each Terminal	-	15	V

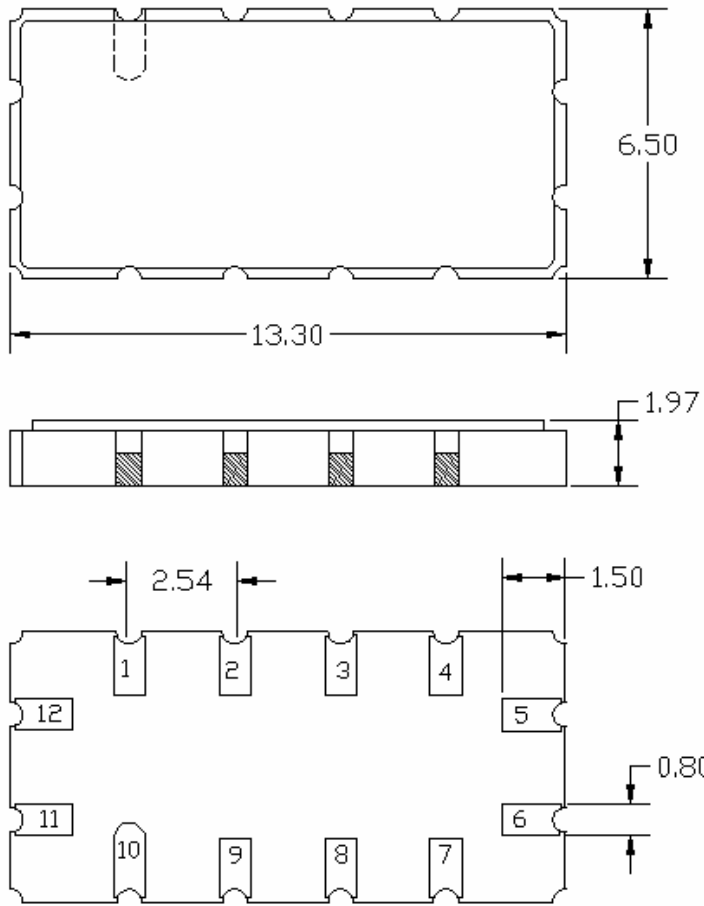
MATCHING CIRCUIT



Typical component values: Rs1 = 2.4 Ω Rs2 = 2.2 Ω
 Ls1 = 56 nH Lp2 = 33 nH
 Cp1 = 33 pF Cp2 = 47 pF

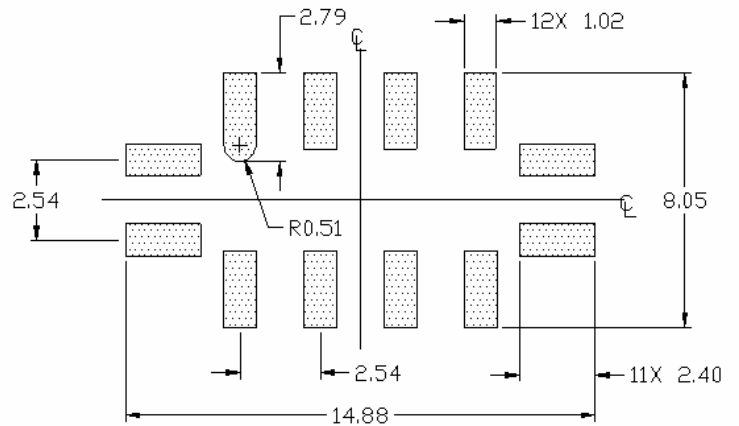
Notes:
 1. Recommend +/-2% tolerance components; typical inductor Q=40.
 2. Component values shown are for reference only and may change depending on board layout.

PACKAGE OUTLINE



Package Material:
 Body: Al_2O_3 ceramic
 Lid: Kovar, Ni plated
 Terminations: Au plating 1 μm min,
 over a 1.3-8.9 μm Ni plating

SUGGESTED FOOTPRINT



Pad Configuration:	
11	Input
12	Input Return
5	Output
6	Output Return
All Others	Ground

NOTE:
 Dimensions shown are all nominal in millimeters. All tolerances are $\pm 0.15 mm$ except where indicated.

ISO 9001
 Registered