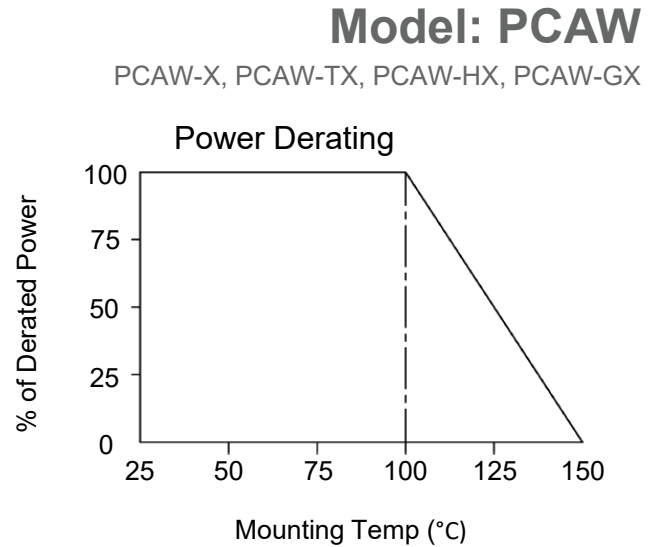


Technical Specifications

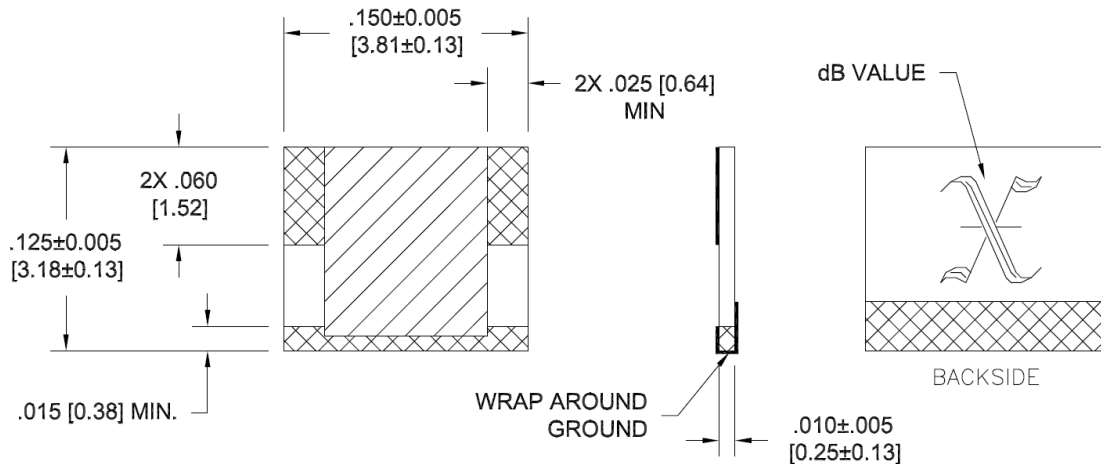
Parameter	Value		
Frequency Range (GHz)	DC to 12.4		
Nominal Impedance	50 Ohms		
Standard dB Values	0 thru 20		
Attenuation Accuracy (dB)	<u>DC-4 GHz</u>	<u>4-8 GHz</u>	<u>8-12.4 GHz</u>
0	+0.5/-0	+0.5/-0	+0.5/-0
1 – 6	±0.5	±0.5	±0.5
7 – 10	±0.5	±0.5	±0.75
11 – 15	±0.75	+0.5/-3	+0.5/-4
16 – 20	±1.0	+0.5/-4	
Attenuation Stability	0.0001 dB/dB/°C		
Operating Temp. Range	-55°C to +150°C		
VSWR			
DC – 4 GHz	1.25:1 max.		
4 – 8 GHz	1.35:1 max		
8 – 12.4 GHz	1.50:1 max.		
Rated Power (20 dB)	1.5W avg. (dB value specific)		
Substrate	Alumina		
*Solderable Terminals	Electroplated Silver over Nickel		



*See "How to Order" for tinning and other option

Model Number: PCAW-YX

Tolerance: .XXX = ±.010



How To Order

PCAW-YX

Terminal Options ——— |
 = Silver over nickel
 T = Tin Lead Solder
 H = Lead Free Solder
 G = Gold plated

————— | dB Value

Order Examples

Model number: PCAW-6
 6 dB, Silver over Nickel

Model number: PCAW-T4
 4 dB, Tin Lead Solder

**Dimensions in brackets are expressed in millimeters and are for reference only.