

## Model FD7008

DC to 40.0 GHz



### Specifications

**NOMINAL IMPEDANCE:** 50 Ω

**FREQUENCY RANGE:** DC to 40.0 GHz

**POWER RATING:** 50 Watts CW, 500 Watts peak

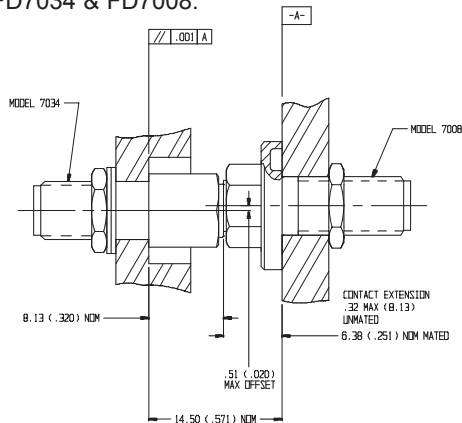
#### INSERTION LOSS (dB) & SWR\*:

Frequency (GHz)	SWR		Loss	
	typical	maximum	typical	maximum
DC - 18	1.20	1.30	0.3	0.5
18 - 26.5	1.30	1.40	0.6	0.8
26.5 - 40	1.45	1.65	1.0	1.5

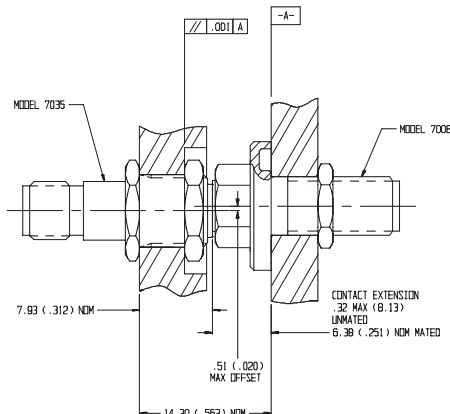
\*Specifications are for mated pair (Mated pair can be any combination of Model FD7008 and 7035).

### Applications

Model FD7034 & FD7008:



Model 7035 & FD7008:



**HYDROSTATIC PRESSURE:** 1000 PSI

**STATIC PRESSURE:** 50 PSI

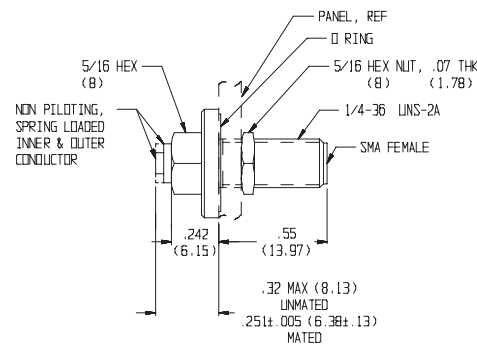
**TEMPERATURE RANGE:** -50°C to +125°C

**RADIAL OFFSET ALLOWED:** 0.02 per pair

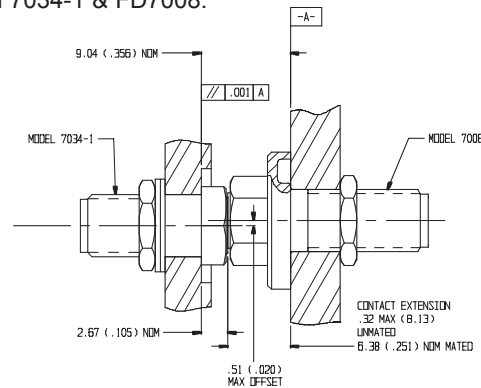
**CONNECTORS:** Stainless Steel SMA connectors per MIL-STD-348 interface dimensions - mate nondestructively with MIL-C-39012 connectors.

**WEIGHT:** 2 oz (56.7 g) maximum

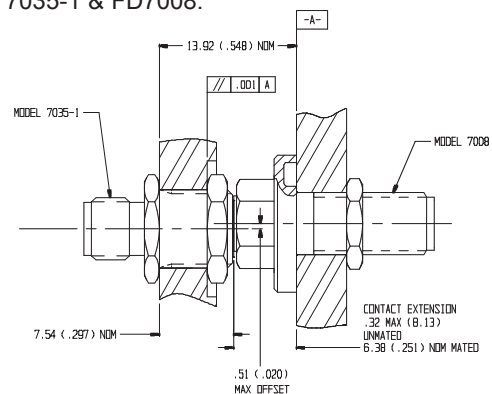
**PHYSICAL DIMENSIONS:**



Model 7034-1 & FD7008:



Model 7035-1 & FD7008:



**NOTE:**

1. All dimensions are given in mm (inches) and are maximum, unless otherwise specified.
2. Unit available with RoHS compliant materials, specify when ordering.