

Power Divider Model 1594

4-Way Resistive Power Dividers
Subminiature, SMA / 3.5mm Connectors

 **RoHS**

DC to 18.0 GHz
2 Watts



Features

- Broadband Performance
- Excellent Tracking Between Ports.
- Miniature Size and Light Weight.

Specifications

Nominal Impedance: 50 Ω

Frequency Range: DC to 18.0 GHz

Insertion Loss*:

12 dB nominal, 14.5 dB maximum

* *input port to any output port with all other terminated.*

Maximum Input Power: 2 Watts CW

Maximum SWR:

Model No.	SWR
1594	1.30

Weight: 0 g (1.05 oz) maximum

Amplitude & Phase Tracking (Maximum)

Model No.	Frequency (GHz)	Tracking*	
		Amplitude	Phase
1594	dc - 12	<2.0 dB	<30°
	12 - 18	<2.5 dB	<50°

* *Between output ports.*

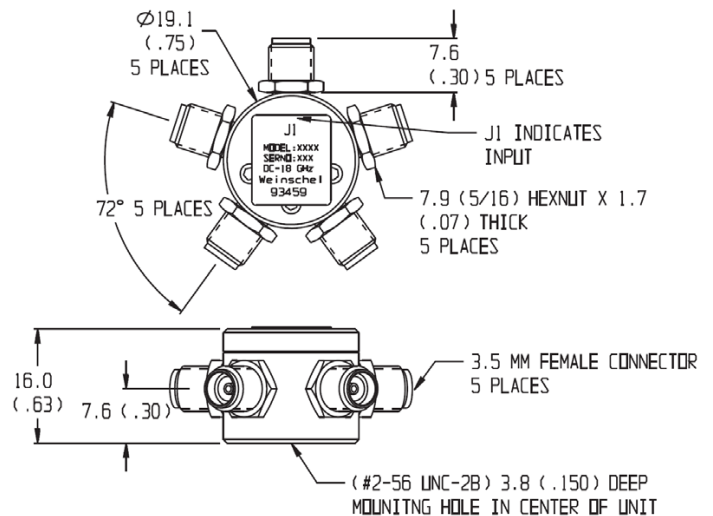
Number of Ports: 1 input and 4 output.

Temperature Range: - 55°C to +100°C

Connectors: 3.5mm female connectors all ports mate non-destructively with other SMA, 2.92mm and 3.5mm connectors.

Physical Dimensions

Model 1594:



NOTE: All dimensions are given in mm (inches) and are maximum, unless otherwise specified.