

## Features

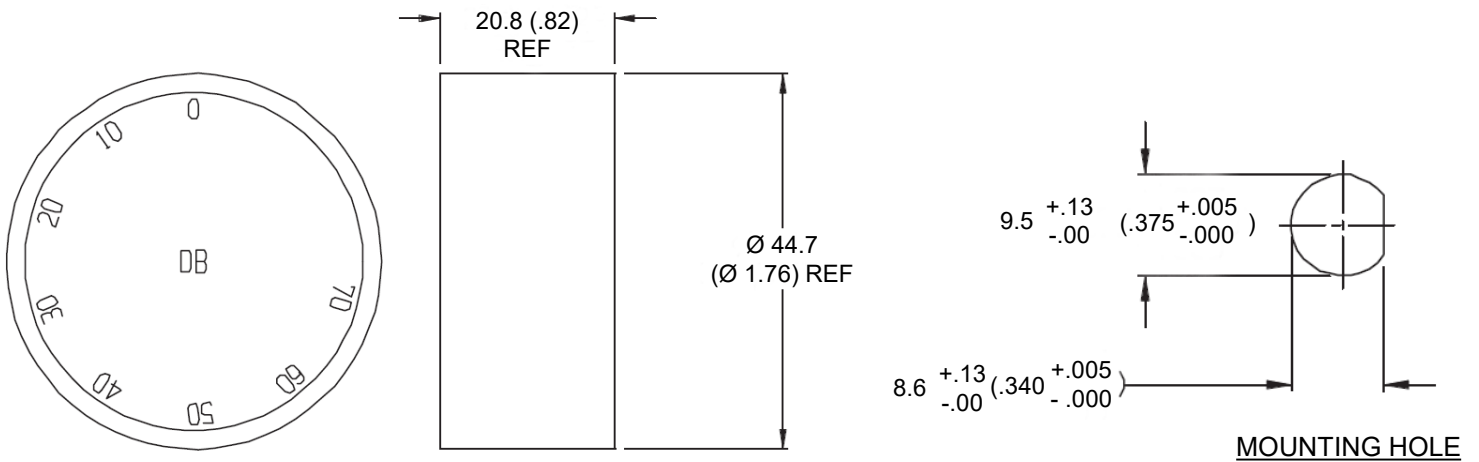
- Choice of attenuation ranges and step sizes
- Excellent repeatability
- Custom configurations available upon request
- Highly accurate detent stepping
- Ruggedized connector: injection molded to provide consistent interface dimensions



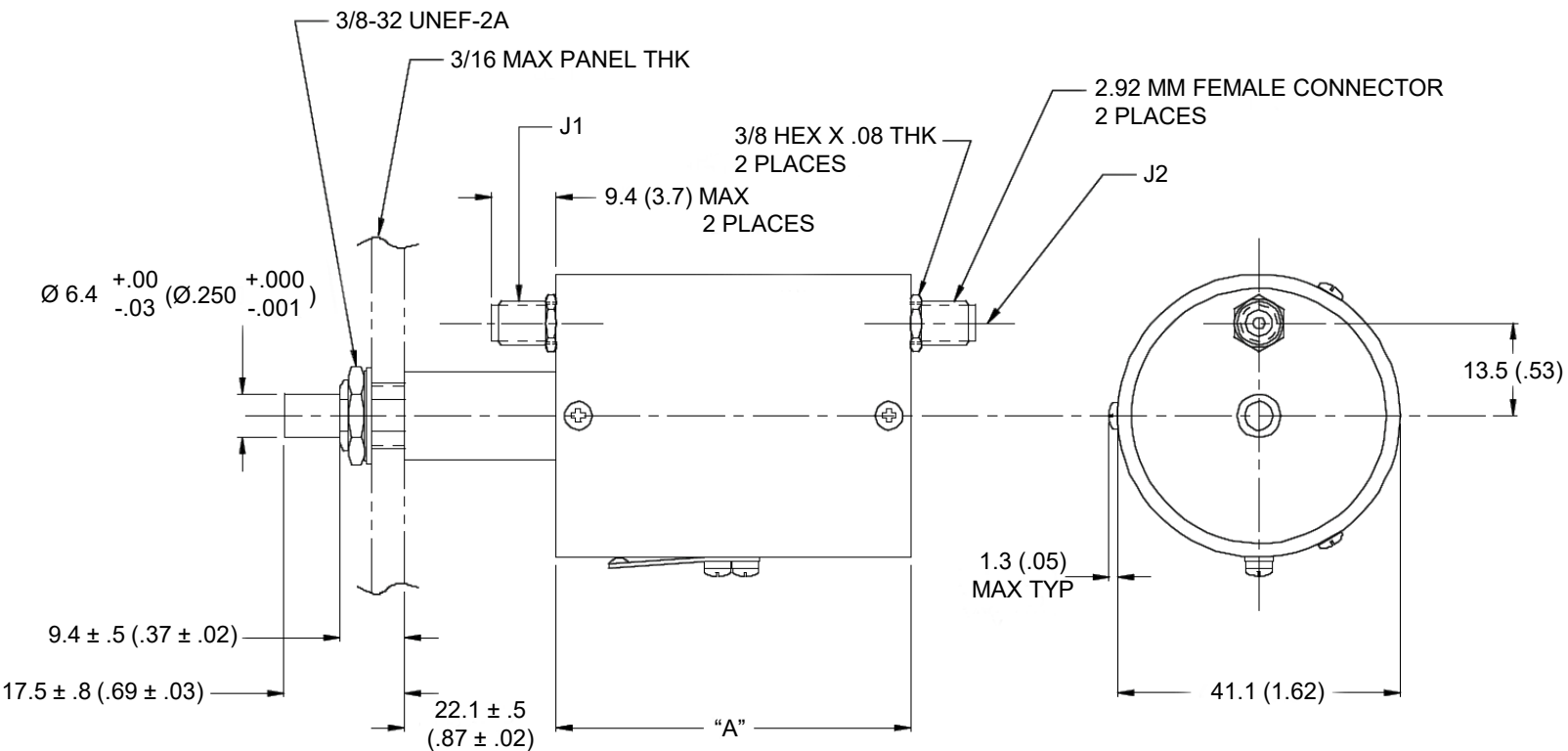
## Technical Specifications

Parameter	Value	
Nominal Impedance	50 ohms	
Frequency Range	DC to 26.5 GHz	
Incremental Attenuation	<u>Model 9012-9</u>	<u>Model 9012-70</u>
Range/Steps	0-9 dB in 1 dB steps	0-70 dB in 10 dB steps
Accuracy	± 0.5 dB	+ 1.0 dB or 2%
Maximum SWR		
DC – 18 GHz	1.40	
18 – 26.5 GHz	1.50	
Max. Insertion Loss (±dB)		
DC – 18 GHz	1.00	
18 – 26.5 GHz	1.50	
Input Power	2 Watts Average @ 25°C ambient temp. <i>Derated linearity to 1 watt @ 54°C</i>	
Peak Power	200 Watts max. (5µSec pulse, 0.5% duty cycle)	
Power Coefficient	< 0.005 dB/dB/watt	
Temperature Coefficient	< 0.0004 dB/dB/°C	
Temperature Range		
Operating	0°C to +54°C	
Nonoperating	-54°C to +54°C	
Repeatability	+0.5 dB to 60 dB	

- **Test Data:** Insertion loss and SWR data supplied at selected frequencies between 50 MHz and 26.5/40 GHz. Other test data can be provided at additional cost.
- **Connector:** 2.92mm female connector - mate nondestructively with SMA connector per MIL-C-39012, SMK, 3.5mm, and other 2.92mm connector.
- **Construction:** Stainless steel connector; gold plated beryllium copper contacts. Knob is included with each unit.
- **Weight:** Net 270 g (9.6 oz)



KNOB FOR MODEL 9012-70  
 KNOB FOR MODEL 9012-9  
 ARE MARKED 0-9



\*\*All dimensions are given in mm (inches) and are maximum, unless otherwise specified.

Model No.	DIM A
9012-9, 9012-70	51.56 (2.03)