

Fixed Coaxial Attenuators Model 87

DC to 32.0 GHz
2 Watts

SMK Connectors

Features

- Available in 0.5 dB increments from 0-30 dB
- Rugged injection molded connectors
- Designed to meet environmental requirements of MIL-A-3933
- New Lower Cost Commercial Version

Specifications

Nominal Impedance: 50 Ω

Frequency Range: DC to 32.0 GHz

Maximum Deviation Over Frequency:

Nominal ATTN (dB)	Deviation (dB)
0	+ 0.5 / -0.0
0.5 - 12	+ 0.50
12.5 - 20	+ 1.00
20.5 - 30	+ 2.00

Maximum SWR:

Frequency Range (GHz)	SWR
DC - 32	1.25

Power Rating: 2 watts **average** to 25°C ambient temperature, derated linearly to 0.5 watts @ 100°C. Maximum power rating into output port is 10 watts **average**. 500 watts **peak** (5 µsec pulse width; 0.2% duty cycle).

Power Coefficient: < 0.005 dB/dB/watts

Temperature Coefficient: < 0.0004 dB/dB/°C

Temperature Range: - 55°C to +100°C

Test Date: Swept data plots of attenuation and SWR from 50 MHz to 32 GHz is available at additional cost.

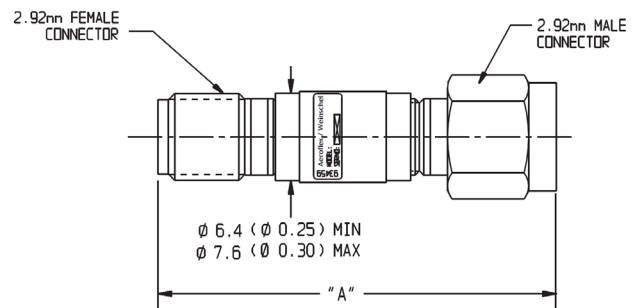


Connectors: SMK (2.92mm) connectors - mate non destructively with SMA, 3.5mm and SMK (2.92mm) connectors.

Construction: Passivated stainless steel body and connectors; gold plated beryllium copper contacts

Weight: 8 g (0.28 oz.) maximum

Physical Dimensions:



dB VALUE	DIM A
0-12	29.2 (1.15)
12.5-20	31.2 (1.23)
20.5-30	33.8 (1.33)

NOTE: All dimensions are given in mm (inches) and are maximum, unless otherwise specified.

Model Number Description:

Example: **87 - XX**

Basic Model
Number Attenuation
 Value (dB)