

DC Blocks

2.9mm

10 MHz – 40 GHz

MODEL: 8141A

Technical Specifications

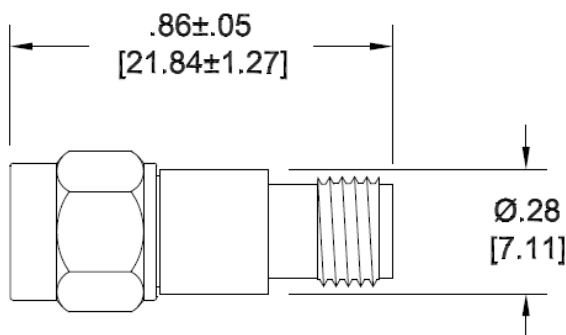
Parameter	Value
<i>Electrical</i>	
Frequency Range	10 MHz – 40 GHz
VSWR	1.45:1 max.
Impedance	50 Ohms
Insertion Loss	0.75 dB max.
Voltage Rating	200 Volts max.
Operation Temp. Range	-65°C to +125°C

Parameter	Value
<i>Mechanical</i>	
Connectors Mates both mechanically and electrically with SMA, 3.5mm and K* series connectors	Passivated Stainless Steel
Conductors	Gold Plated Beryllium Copper
Housing Inner Only Blocks Inner / Outer Blocks	Passivated Stainless Steel High Temperature Plastic

*K is a trademark of Wiltron Corp.

Model Number: 8141A
 2.9mm Male to Female; Inner Only
 Weight: 5.3 grams max.

Frequency Range	Insertion Loss	VSWR
1 kHz	24 dB	-
16 kHz	3 dB	6:1
50 kHz	0.5 dB	2:1
110 kHz	0.1 dB	1.35:1



**Dimensions in brackets are expressed in millimeters and are for reference only.

sales@am.spectrumcontrol.com

Approved for Release: July 2025Brown

Spectrum Control reserves the right to make changes to datasheets at any time without notice.