

Dust Cap

SMA, Type N, 2.4mm

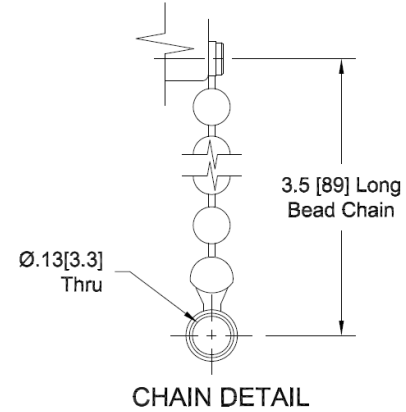
Chain Option

MODELS: 7603, AA-7604, AA-7605, AA-7606

Technical Specifications

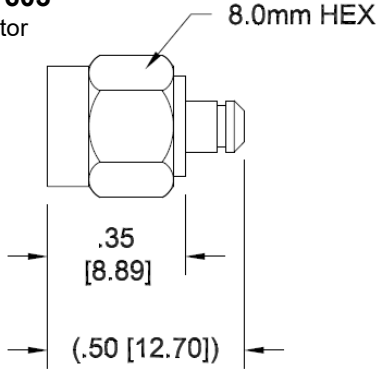
Parameter	Value
<i>Mechanical</i>	
SMA Connectors Coupling Nut & Housing	Mates with MIL-STD-348 Passivated Stainless Steel
Type N Connectors	Mates with MIL-STD-348 Nickel Plated Brass
2.4mm Connectors	Mates with 1.85mm & V* connectors Passivated Stainless Steel
Bead Chain	Passivated Stainless Steel

*V is a trademark of Anritsu Corp.



Model Number 7603

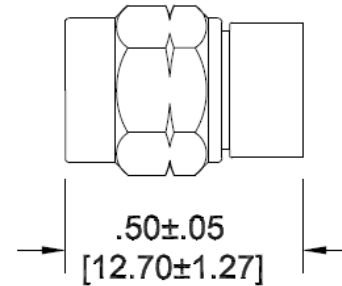
SMA Male Connector
Scale: 2:1



Model Number AA-7606

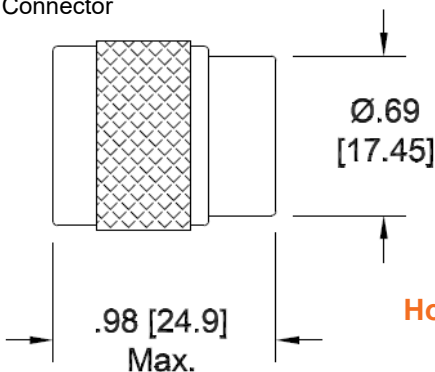
2.4mm Male Connector
Scale: 2:1

**Dimensions in brackets are expressed in millimeters and are for reference only.



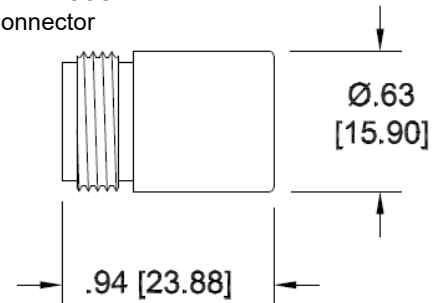
Model Number AA-7604

Type N Male Connector
Scale: Full



Model Number AA-7605

Type N Female Connector
Scale: Full



How To Order

Model #: 760X-YYY
 Base Number See Above Style
 =No chain
 C =Chain