

Models 7035, 7035-1, 7035R & 7035R-1

DC to 40.0 GHz



INSERTION LOSS (dB) & SWR:

Frequency (GHz)	Loss (maximum)	SWR (maximum)
DC - 18	0.50	1.35
18 - 40	0.85	1.55

Specifications

NOMINAL IMPEDANCE: 50 Ω

FREQUENCY RANGE: DC to 40.0 GHz

INSERTION LOSS REPEATABILITY: ±0.1 dB typical

MECHANICAL LIFE: 25,000 matings minimum

PHYSICAL DIMENSIONS:

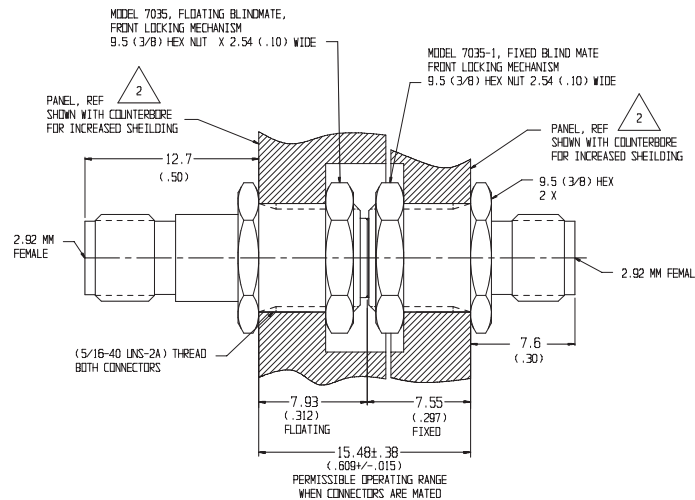
Models 7035 & 7035-1:

RADIAL OFFSET ALLOWED: ±0.02 inches per pair

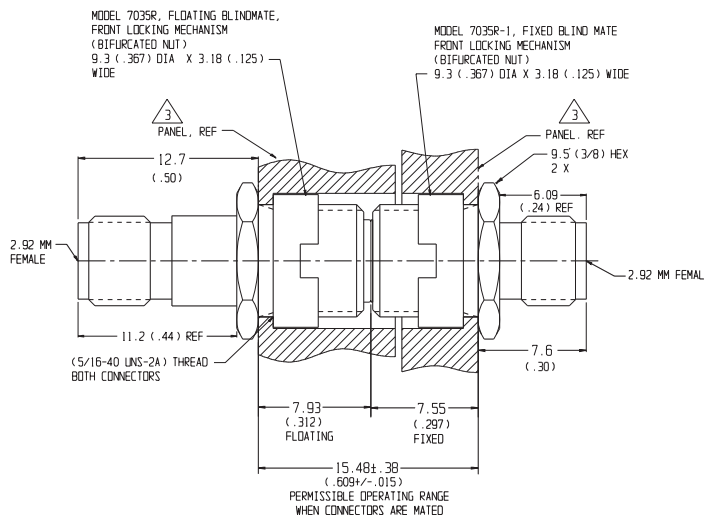
TEMPERATURE RANGE: -50°C to +100°C

CONNECTORS: Stainless Steel 2.92mm connector with gold plated contacts - mate nondestructively with SMA connectors per MIL-C-39012, 3.5mm, SMK, and other 2.92mm connectors.

WEIGHT: 2 oz (56.7 g) maximum



Models 7035R & 7035R-1:



- NOTES:
1. All dimensions are given in mm (inches) and are nominal, unless otherwise specified.
 2. Maximum panel thickness for Model 7035 is 4.9 (0.195).
 3. Panel flange thickness of 1.0 (0.03) shown for 7035R. Connector Mating shown with counterbore for increased shielding effectiveness.
 4. Unit available with RoHS compliant materials, specify when ordering