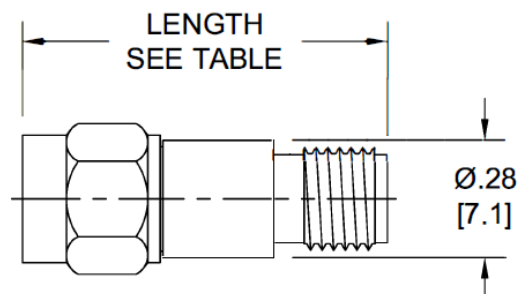
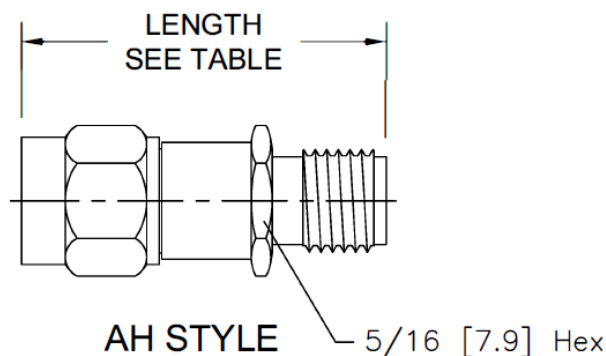


Technical Specifications

Parameter	Value	
<i>Electrical</i>		
Frequency Range	DC – 26.5 & 40 GHz	
Standard dB Values	0, 3, 6, 10, 20, & 30 dB	
Attenuation Accuracy	DC-26.5 GHz	26.5-40 GHz
0, 3, 6 dB	±0.5 dB	±0.8 dB
10 & 20 dB	±0.6 dB	±1.0 dB
30 dB	±0.8 dB	±1.0 dB
VSWR	DC – 18 GHz	1.30:1 max.
	18 – 40 GHz	1.40:1 max.
Input Power	See below	
Impedance	50 Ohms	
Operation Temp. Range	-65°C to +125°C	
RF Leakage	90 dB min.	
<i>Mechanical</i>		
2.9mm Connectors Mates both mechanically and electrically with all SMA, K* & 3.5mm series connectors.	Passive Stainless Steel	
Conductors	Gold Plated Beryllium Copper	



A STYLE



AH STYLE

*K is a trademark of Anritsu/Wiltron Corp.

26.5 GHz Attenuators

dB Value	Length	
	Inches	Millimeters
0 – 12 dB	0.88 ± .05	[22.4 ± 1.3]
13 – 30 dB	1.01 ± .05	[25.7 ± 1.3]

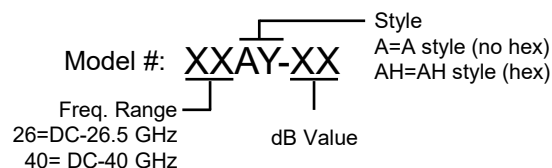
Input Power: 2 Watts Average @ 25°C
 Derated linearity to 0.5 watt @ +125°C

40 GHz Attenuators

dB Value	Length	
	Inches	Millimeters
0 – 30 dB	0.88 ± .05	[22.4 ± 1.3]

Input Power: 0.5 Watts Average @ 25°C
 Derated linearity to 0.1 watt @ +125°C

How To Order



Order Examples

Model number: 40A-20
 DC-40 GHz, 20 dB, style A

Model number: 26AH-6
 DC-26.5 GHz, 6 dB, style AH

**Dimensions in brackets are expressed in millimeters and are for reference only.

sales@am.spectrumcontrol.com

Approved for Release: November 2024/Brown

Spectrum Control reserves the right to make changes to datasheets at any time without notice.