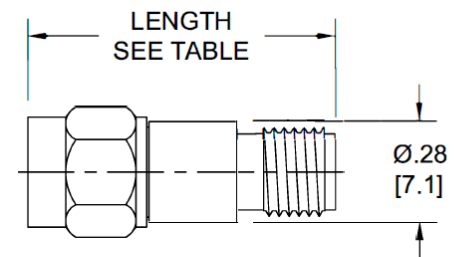


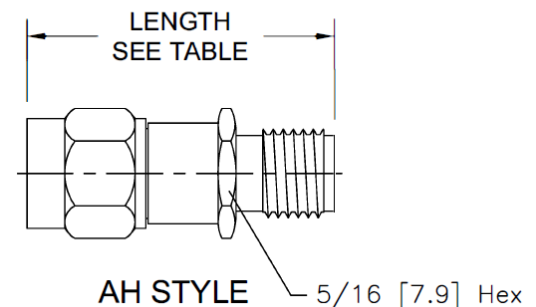
## Technical Specifications

Parameter	Value	
<i>Electrical</i>		
Frequency Range	DC – 23 GHz	
Standard dB Values	0-10, 12, 15, 20 & 30 dB	
Attenuation Accuracy	DC-18 GHz	18-23 GHz
	0-6 dB ±0.3 dB	±0.4 dB
	7-20 dB ±0.5 dB	±0.6 dB
	21-30 dB ±0.75 dB	±0.8 dB
VSWR	@ 30 MHz	1.05:1 max.
	DC – 4 GHz	1.15:1 max.
	4 – 8 GHz	1.20:1 max.
	8 – 12.4 GHz	1.25:1 max.
	12.4 – 18 GHz	1.35:1 max.
	18 – 23 GHz	1.40:1 max.
Input Power	2 Watts Average @ 25°C <i>Derated linearity to 0.5 watt @ +125°C</i>	
Peak Power	250 Watts max. (5µSec pulse, 0.05% duty cycle)	
Impedance	50 Ohms	
Operation Temp. Range	-65°C to +125°C	

Parameter	Value
<i>Mechanical</i>	
SMA Connectors Mates with MIL-STD-348	Passive Stainless Steel
Conductors	Gold Plated Beryllium Copper



A STYLE



AH STYLE

Connector Configuration	0 – 12 dB		13 – 30 dB	
	Inches	Millimeters	Inches	Millimeters
Male/Female	0.86 ± .03	[21.8 ± .08]	0.99 ± .03	[25.1 ± .08]
Male/Male	0.98 ± .03	[24.9 ± .08]	1.11 ± .03	[28.2 ± .08]
Female/Female	0.87 ± .03	[22.1 ± .08]	1.00 ± .03	[25.4 ± .08]

## How To Order

Model #: 23AY-XXY

Style  
 A=A style (no hex)  
 AH=AH style (hex)

dB Value

Connector Configuration  
 = Male/Female  
 F = Female/Female  
 M = Male/Male

## Order Example

Model number: 23A-20  
 20 dB, SMA male/female, style

Model number: 23AH-6F  
 6 dB, SMA female/female, style AH

\*\*Dimensions in brackets are expressed in millimeters and are for reference only.