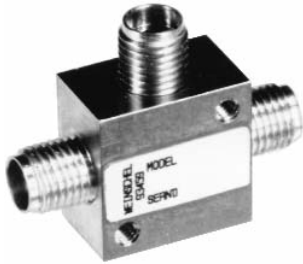


Model 1534

*Broadband Resistive Power Splitter
(Matching), Subminiature, SMK Connectors*

DC to 40.0 GHz
1 Watt



Features

These resistive power splitters are intended for RF and wireless applications in which one of the two outputs is included in a leveling loop or is used as a reference in a ratio system, for the purpose of providing an output signal whose source impedance is essentially matched to 50Ω. Some examples are:

- /// A dual-channel insertion loss measuring system where the resistive power splitter provides a reference and a signal channel for ratio meter.
- /// A parallel IF substitution insertion loss measuring system where the resistive power splitter provides a sampled output for leveling the signal source.
- /// A precision power source where a power meter of known characteristics is used, either by ratio or leveling to provide a calibrated output.

Specifications

NOMINAL IMPEDANCE: 50 Ω

FREQUENCY RANGE: dc to 40.0 GHz

INSERTION LOSS: 6 dB nominal, 8.0 dB maximum to 26.5, 10.5 dB to 40 GHz
(Between input and either output)

MAXIMUM INPUT POWER: 1.0 watt CW
(Input Connector only)

AMPLITUDE & PHASE RACKING (Maximum):

| Frequency (GHz) | Tracking | |
|-----------------|-----------|-------|
| | Amplitude | Phase |
| DC - 18 | <0.20 dB | <2° |
| 18 - 26.5 | <0.30 dB | <2° |
| 26.5 - 40 | <0.50 dB | <4° |

MAXIMUM INPUT SWR:

| Frequency (GHz) | Maximum SWR |
|-----------------|-------------|
| DC - 18 | 1.25 |
| 18 - 26.5 | 1.40 |
| 26.5 - 40 | 1.60 |

EQUIVALENT OUTPUT SWR (Port 2 & 3):

| Frequency (GHz) | Maximum SWR |
|-----------------|-------------|
| DC - 26.5 | 1.35 |
| 26.5 - 40 | 160 |

*When used in a leveling or ration system.

TEMPERATURE RANGE:

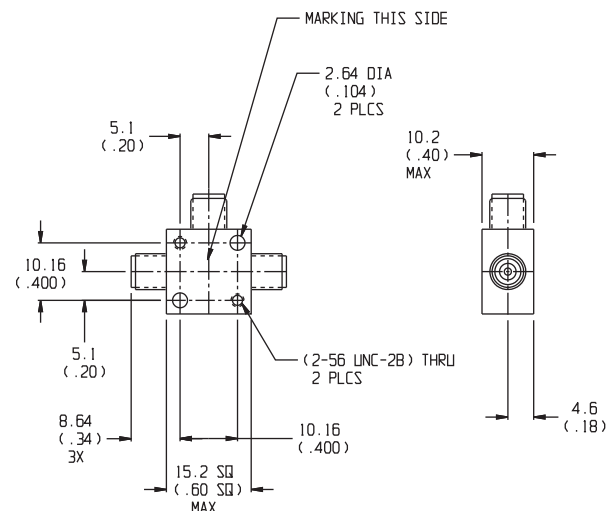
Operating: -55°C to +85°C
Storage: -55°C to +125°C

TEST DATA: Insertion Loss, SWR, and Tracking measurements performed across the frequency band. Test data available at additional cost.

CONNECTORS: Female SMK (2.92mm) connectors all ports--mate nondestructively with SMA, 2.92mm and other 2.92mm and 3.5mm connectors.

WEIGHT: 25 g (0.9 oz) maximum

PHYSICAL DIMENSIONS:



NOTE: All dimensions are given in mm (inches) and are maximum, unless otherwise specified.