

Model 1456

High Power, N Connectors

Convection Cooled

DC to 3.0 GHz

1,000 Watts

 **RoHS**


Features

- /// Quality Type N connectors with special high temperature support beads.
- /// Designed to meet environmental requirements of MIL-D-39030.

Specifications

NOMINAL IMPEDANCE: 50 Ω

FREQUENCY RANGE: DC to 3.0 GHz

MAXIMUM SWR:

Frequency (GHz)	SWR
DC - 1.5	1.15
1.5 - 3.0	1.25

POWER RATING: 1,000 watts **average** (assuming unobstructed air flow and natural convection around unit) to 25°C ambient temperature, derated linearly to 100 watts @ 125°C. 10 kilowatt **peak** (5 μsec pulse width; 5% duty cycle).

TEMPERATURE RANGE: -55°C to +125°C with Power derating applied.

TEST DATA: Swept data plots of SWR from 50 MHz to 3 GHz is available at additional cost.

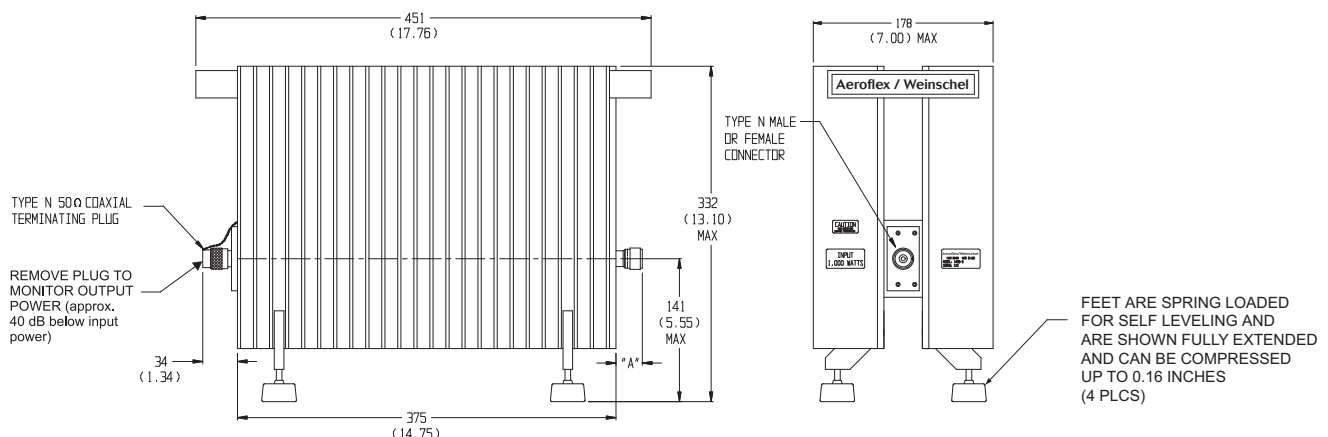
CONNECTOR: Type N connectors - mate nondestructively with MIL-C-39012 connector.

Connector Options	Type/Description
3	Type N, Female
4	Type N, Male

CONSTRUCTION: Black, finned aluminum body, stainless steel or silver plated brass connectors with gold plated beryllium copper or silver plated contacts.

WEIGHT: Net 13.6 kg (30 lbs) nominal

PHYSICAL DIMENSIONS:



Model #	DIM A	Connector Type
1456-3	15.0 (0.59)	N female
1456-4	22.9 (0.90)	N male

NOTE: All dimensions are given in mm (inches) and are maximum, unless otherwise specified.