

## Terminations & Loads

Model M1418  
Medium Power, N Connectors

DC to 18.0 GHz  
10 Watts



### Features

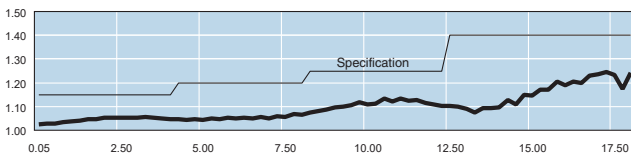
- /// Optimized for Wireless OEM and Test Applications
- /// Designed to meet environmental requirements of MIL-D-39030
- /// Quality Injection Molded Connector

### Specifications

**NOMINAL IMPEDANCE:** 50 Ω

**FREQUENCY RANGE:** DC to 18.0 GHz

MAXIMUM SWR:	
Frequency (GHz)	SWR
dc - 4	1.15
4 - 8	1.20
8 - 12.4	1.25
12.4 - 18	1.40



Typical M1418 SWR Performance

**POWER RATING:** 10 watts **average (mounted horizontally)** @ 25°C ambient temperature, derated linearly to 0 watt @ 125°C. 1 kilowatt **peak** (5 μsec pulse width; 0.5% duty cycle).

**TEMPERATURE RANGE:** -55°C to +125°C

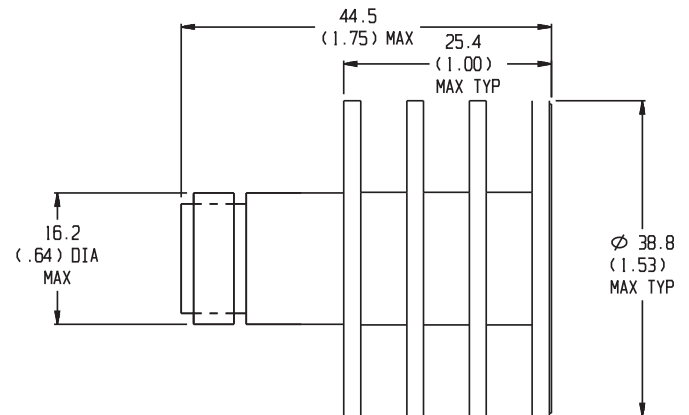
**TEST DATA:** Swept data plots of SWR from 50 MHz to 12.4 GHz is available at additional cost.

**CONNECTOR:** Type N connector per MIL-STD-348 interface dimensions - mate nondestructively with MIL-C-39012 connector.

**CONSTRUCTION:** Black, finned aluminum body, stainless steel connector; gold plated beryllium copper contacts.

**WEIGHT:** 90 g (3 oz)

**PHYSICAL DIMENSIONS:**



NOTE: All dimensions are given in mm (inches) and are maximum, unless otherwise specified.